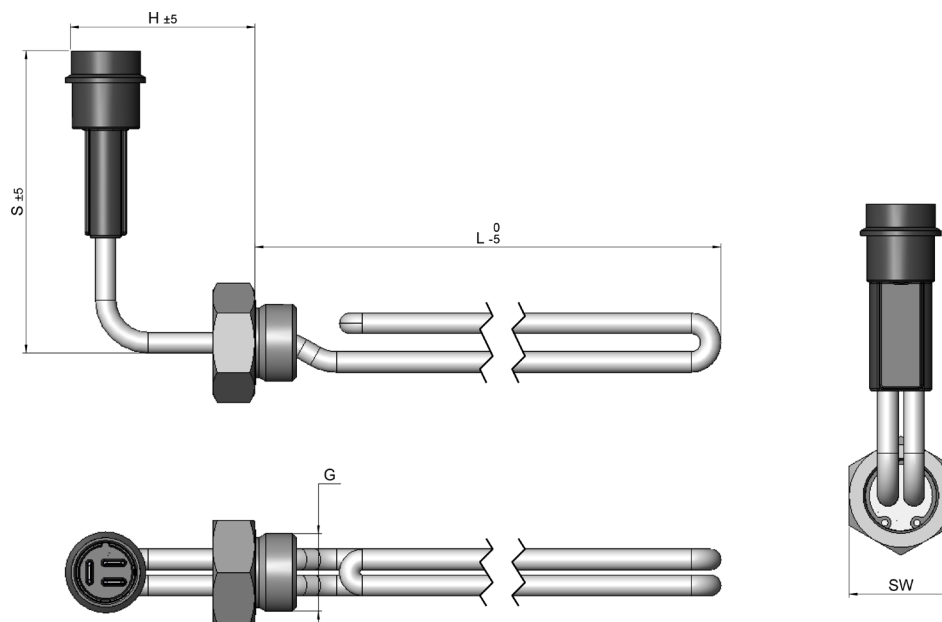


PRODUCT NEWS

May 2014



Heaters intended for heating oils

Calix offers a variety of oil heaters.

For many decades, Calix has been a world leader supplier of electric engine heaters to the automotive industry. An acknowledgment that the company has managed to develop and maintain this position is as a system supplier to, among others, the construction industry through the well-known brands John Deere, Massey Ferguson, Challenger, Fendt and Claas.

A safe and approved Calix cable system is mounted in production together with engine heaters. There is no news that

most of the manufacturers, in addition to traditional engine heaters, also has electric heaters for gearboxes, pumps, axles, etc. Thanks to this, Calix has produced a number of variations of oil heaters with low surface effect designed for oils in transmissions or engines.

The purpose with the oil heater is to improve the quality of the oil at low temperatures, which positively reduces wear on components such as pump etc.

Below is a table with a number of oil heaters.

Product	Part no.	G (Thread)	SW (mm)	L (mm)	H (mm)	S (mm)	Voltage	Power	Recommended power for temp. rise of 20K in 6H	Surface Power
MO 540	1824000	M24x1,5	32	139	57	93	230V	150W	3,5W/L	1,5W/cm ²
MO 607	1830700	1 3/16" -12UN-2A	1 3/8" (35)	139	57	93	230V	150W	3,5W/L	1,5W/cm ²
MO 618	1831800	M26x1,5	32	120	61	108	230V	150W	3,5W/L	1,5W/cm ²
MO 649	1834900	M22x1,5	27	138	45	94	230V	150W	3,5W/L	1,5W/cm ²
MO 652	1835200	M48x1,5	46	190	51	86	230V	350W	3,5W/L	1,5W/cm ²
MO 660	1836000	M24x1,5	32	345	57	94	230V	400W	3,5W/L	1,5W/cm ²
MO 678	1837800	M33x2	41	345	57	94	230V	400W	3,5W/L	1,5W/cm ²
UO 540	1824001	M24x1,5	32	139	57	93	110-120V	150W	3,5W/L	1,5W/cm ²
UO 649	1834901	M22x1,5	27	138	45	94	110-120V	150W	3,5W/L	1,5W/cm ²
UO 660	1836001	M24x1,5	32	345	57	94	110-120V	400W	3,5W/L	1,5W/cm ²
UO 678	1837801	M33x2	41	345	57	94	110-120V	400W	3,5W/L	1,5W/cm ²