

Industrial Tank Heaters

(Conduit Connection)

1500 - 5000 watt
Weathertight
Single Phase



CB Model without thermostat.



CB Model assembled with thermostat.



CL Model without thermostat.



CL Model assembled with thermostat.



Ambient Above -20° F	Ambient Below -20° F	Model Number without Thermostat	Model Number with Thermostat (see chart 1)	Volts	Watts	Phase	Amps	Fig.* No.
350 — 500 Cubic Inch or Less	200 — 300 Cubic Inch or Less	CB115100-000	CB1151XX-000	120	1500	1	12.5	1
		CB115800-000	CB1158XX-000	208	1500	1	7.2	1
		CB115200-000	CB1152XX-000	240	1500	1	6.3	1
		CB115700-000	CB1157XX-000	277	1500	1	5.4	1
		CB115300-000	CB1153XX-000	380	1500	1	3.9	1
		CB115400-000	CB1154XX-000	480	1500	1	3.1	1
500 — 600 Cubic Inch or Less	300 — 400 Cubic Inch or Less	CB120100-000	CB1201XX-000	120	2000	1	16.7	1
		CB120800-000	CB1208XX-000	208	2000	1	9.6	1
		CB120200-000	CB1202XX-000	240	2000	1	8.3	1
		CB120300-000	CB1203XX-000	380	2000	1	5.3	1
		CB120400-000	CB1204XX-000	480	2000	1	4.2	1
600 — 800 Cubic Inch or Less	400 — 500 Cubic Inch or Less	CB125100-000	CB1251XX-000	120	2500	1	20.8	1
		CB125800-000	CB1258XX-000	208	2500	1	12.0	1
		CB125200-000	CB1252XX-000	240	2500	1	10.4	1
		CB125700-000	CB1257XX-000	277	2500	1	9.0	1
		CB125300-000	CB1253XX-000	380	2500	1	6.6	1
		CB125400-000	CB1254XX-000	480	2500	1	5.2	1
800 — 1000 Cubic Inch or Less	500 — 600 Cubic Inch or Less	CL130100-100	CL1301XX-100	120	3000	1	25.0	3
		CL130800-100	CL1308XX-100	208	3000	1	14.4	3
		CL130200-100	CL1302XX-100	240	3000	1	12.5	3
		CL130700-100	CL1307XX-100	277	3000	1	10.8	3
		CL130300-100	CL1303XX-100	380	3000	1	7.9	3
		CL130400-100	CL1304XX-100	480	3000	1	6.3	3
1000 — 1350 Cubic Inch or Less	600 — 800 Cubic Inch or Less	CL140800-100	CL1408XX-100	208	4000	1	19.2	3
		CL140200-100	CL1402XX-100	240	4000	1	16.7	3
		CL140700-100	CL1407XX-100	277	4000	1	14.4	3
		CL140300-100	CL1403XX-100	380	4000	1	10.5	3
		CL140400-100	CL1404XX-100	480	4000	1	8.3	3
1350 — 1650 Cubic Inch or Less	800 — 1000 Cubic Inch or Less	CL150800-100	CL1508XX-100	208	5000	1	24.0	3
		CL150200-100	CL1502XX-100	240	5000	1	20.8	3
		CL150700-100	CL1507XX-100	277	5000	1	18.1	3
		CL150300-100	CL1503XX-100	380	5000	1	13.2	3
		CL150400-100	CL1504XX-100	480	5000	1	10.4	3

*Figure Number refers to technical drawings of heaters located on page 14.

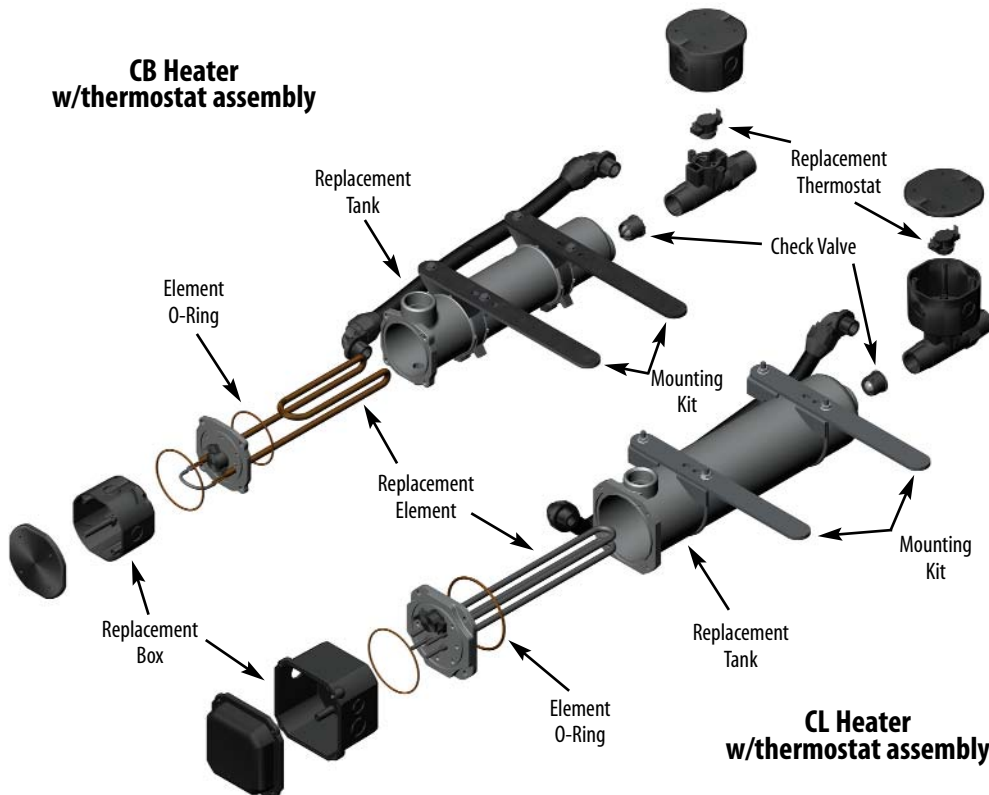
INSTALLATION TIPS	
If you require a 1" NPT female thread on the thermostat intake, a coupler is available. Also, for the use of 3/4" or 1" ID heater hose, hose barb adapters are available. See below.	
Part Number	Description
HB-1	1" NPT to 1" hose barb adapter. Installs in 1" NPT female inlet or outlet of the heater.
HB-3/4	1" NPT to 3/4" hose barb adapter. Installs in 1" NPT female inlet or outlet of the heater.
HB-C	1" NPT x 1" NPT aluminum coupler. Installs on 1" NPT inlet to T-Stat and allows the addition of HB-1 or HB-3/4.
HB-K3/4	Kit contains (2) HB-3/4 and (1) HB-C
HB-K1	Kit contains (2) HB-1 and (1) HB-C

CHART 1			
HEATERS WITH THERMOSTATS			
To specify temperature range of thermostat, insert numerical code from chart in place of the XX in model number.			
Example:			
Desired Temperature Range 100° - 120°F			
Catalog Number: Model CB1151XX-000			
Order as: Model CB115110-000			
All heaters over 277v and all 3Ø units must use a control box	TEMPERATURE RANGE		NUMERICAL CODE
	ON	OFF	
	60°F	80°F	06
	80°F	100°F	08
	100°F	120°F	10
See Control Systems page 38	120°F	140°F	12
	140°F	160°F	14
	Adjustable 90° - 130°F		A3

Replacement Parts

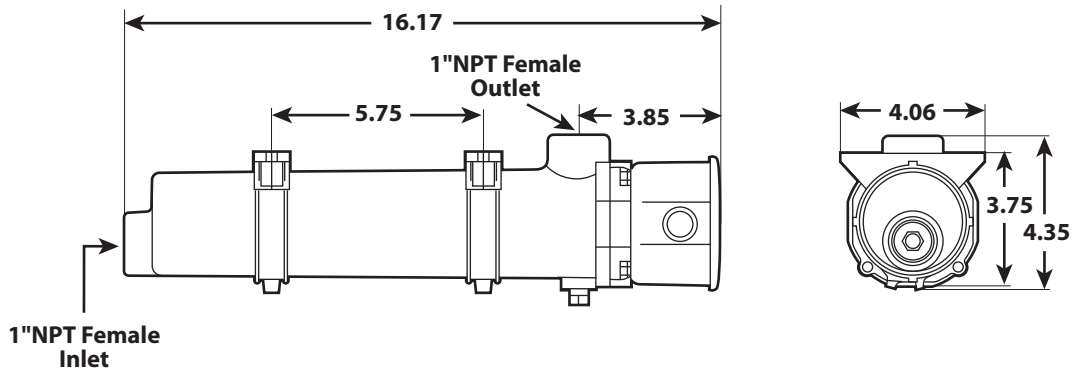
For tank-style heaters shown on page 8

Model Number	Volts	Watts	Replaceable Parts					
			Element	Tank	Box	Element O-ring	Mounting Kit	Check Valve
CB115100-000	120	1500	RECB1151	RTB	RTBCB	TMM-OR	FK2	RV-M
CB115800-000	208	1500	RECB1158	RTB	RTBCB	TMM-OR	FK2	RV-M
CB115200-000	240	1500	RECB1152	RTB	RTBCB	TMM-OR	FK2	RV-M
CB115700-000	277	1500	RECB1157	RTB	RTBCB	TMM-OR	FK2	RV-M
CB115300-000	380	1500	RECB1153	RTB	RTBCB	TMM-OR	FK2	RV-M
CB115400-000	480	1500	RECB1154	RTB	RTBCB	TMM-OR	FK2	RV-M
CB120100-000	120	2000	RECB1201	RTB	RTBCB	TMM-OR	FK2	RV-M
CB120800-000	208	2000	RECB1208	RTB	RTBCB	TMM-OR	FK2	RV-M
CB120200-000	240	2000	RECB1202	RTB	RTBCB	TMM-OR	FK2	RV-M
CB120300-000	380	2000	RECB1203	RTB	RTBCB	TMM-OR	FK2	RV-M
CB120400-000	480	2000	RECB1204	RTB	RTBCB	TMM-OR	FK2	RV-M
CB125100-000	120	2500	RECB1251	RTB	RTBCB	TMM-OR	FK2	RV-M
CB125800-000	208	2500	RECB1258	RTB	RTBCB	TMM-OR	FK2	RV-M
CB125200-000	240	2500	RECB1252	RTB	RTBCB	TMM-OR	FK2	RV-M
CB125700-000	277	2500	RECB1257	RTB	RTBCB	TMM-OR	FK2	RV-M
CB125300-000	380	2500	RECB1253	RTB	RTBCB	TMM-OR	FK2	RV-M
CB125400-000	480	2500	RECB1254	RTB	RTBCB	TMM-OR	FK2	RV-M
CL130100-100	120	3000	RECL1301-100	RTL	RTBCL-100	TML-OR	FK6	RV-M
CL130800-100	208	3000	RECL1308-100	RTL	RTBCL-100	TML-OR	FK6	RV-M
CL130200-100	240	3000	RECL1302-100	RTL	RTBCL-100	TML-OR	FK6	RV-M
CL130700-100	277	3000	RECL1307-100	RTL	RTBCL-100	TML-OR	FK6	RV-M
CL130300-100	380	3000	RECL1303-100	RTL	RTBCL-100	TML-OR	FK6	RV-M
CL130400-100	480	3000	RECL1304-100	RTL	RTBCL-100	TML-OR	FK6	RV-M
CL140800-100	208	4000	RECL1408-100	RTL	RTBCL-100	TML-OR	FK6	RV-M
CL140200-100	240	4000	RECL1402-100	RTL	RTBCL-100	TML-OR	FK6	RV-M
CL140700-100	277	4000	RECL1407-100	RTL	RTBCL-100	TML-OR	FK6	RV-M
CL140300-100	380	4000	RECL1403-100	RTL	RTBCL-100	TML-OR	FK6	RV-M
CL140400-100	480	4000	RECL1404-100	RTL	RTBCL-100	TML-OR	FK6	RV-M
CL150800-100	208	5000	RECL1508-100	RTL	RTBCL-100	TML-OR	FK6	RV-M
CL150200-100	240	5000	RECL1502-100	RTL	RTBCL-100	TML-OR	FK6	RV-M
CL150700-100	277	5000	RECL1507-100	RTL	RTBCL-100	TML-OR	FK6	RV-M
CL150300-100	380	5000	RECL1503-100	RTL	RTBCL-100	TML-OR	FK6	RV-M
CL150400-100	480	5000	RECL1504-100	RTL	RTBCL-100	TML-OR	FK6	RV-M

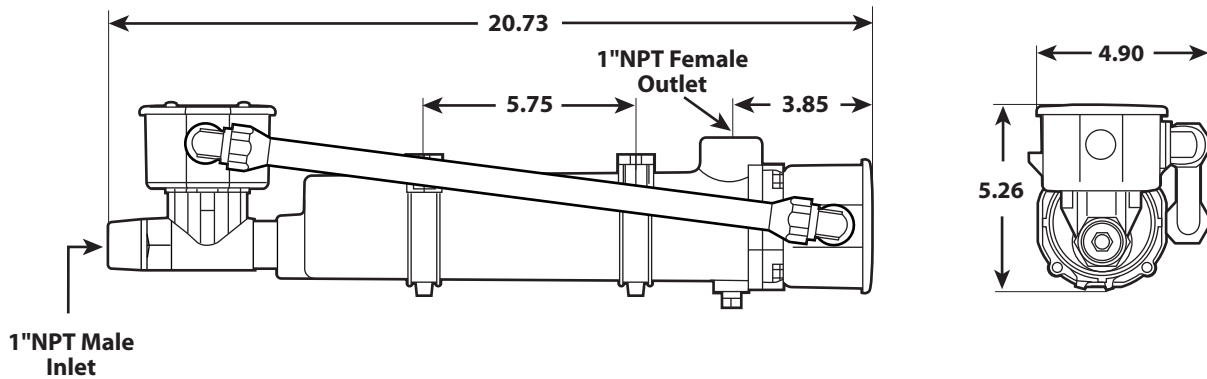


Heaters with Thermostats		
Temperature Range		Thermostat Replacement
ON	OFF	
60°F	80°F	RSU6
80°F	100°F	RSU8
100°F	120°F	RSU10
120°F	140°F	RSU12
140°F	160°F	RSU14
Adjustable 90° - 130°F		RSU90-130

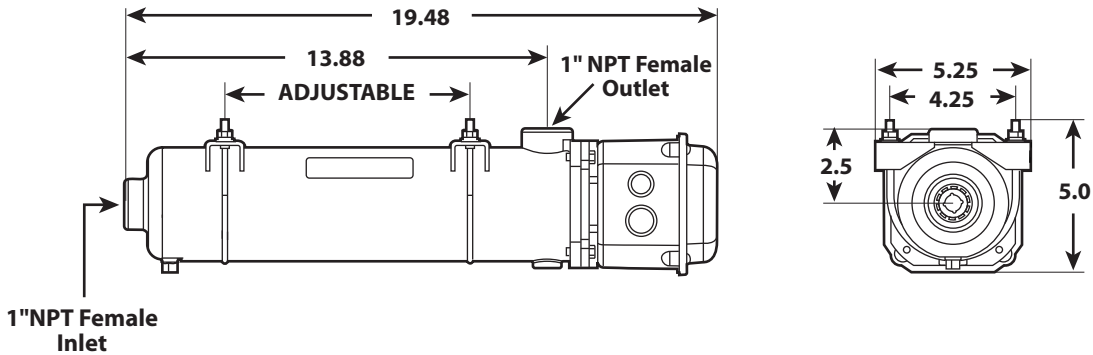
CB Style Heater without thermostat



CB Style Heater with thermostat



CL Style Heater without thermostat



CL Style Heater with thermostat

