

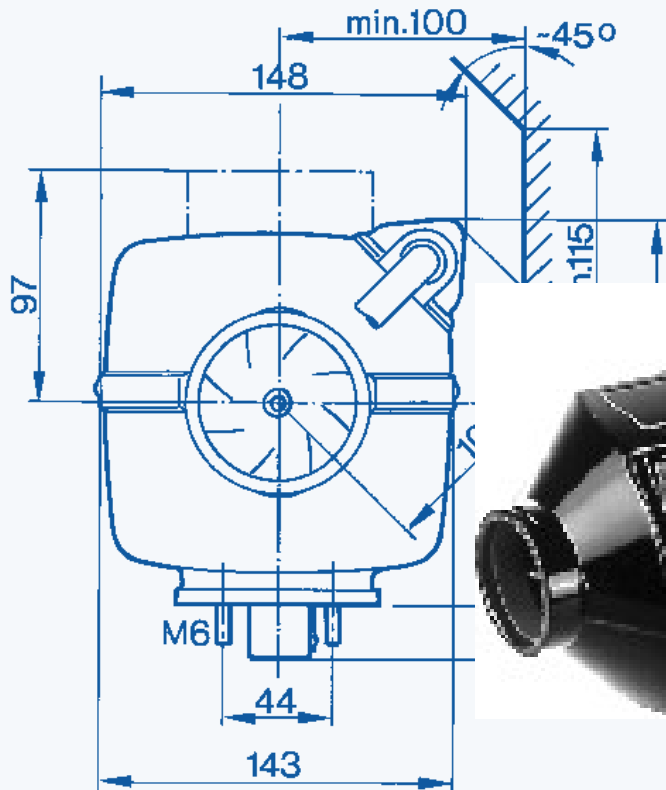
# D1LC compact Air Heater

Installation  
Troubleshooting &  
Parts Manual



## D1LC compact

For Heater Models	Release period
25 1976 05 - 12Volt	October/97-present
25 1977 05 - 24Volt	February/98-present
25 1965 05 - 12Volt	April/97-October/97
25 1966 05 - 24Volt	August/96-February/98
25 1895 05 - 12Volt	August/96-April/97
25 1896 05 - 24Volt	August/96-Limited



<b>Introduction</b>	Heater Warnings .....	2
	Introduction .....	3
	Specifications .....	4
	Principal Dimensions .....	5
	Mounting Pattern .....	5
	Heater Components .....	6
<b>Installation Procedures</b>	Heater Location .....	7
	Heater Mounting .....	7
	Heater Air Ducting .....	7
	Heater Plumbing .....	7
	Ducting Components .....	8
	Fuel System .....	8
	Electrical Connections .....	11
	Exhaust/Intake Connections .....	12
	Operating Switches .....	12
<b>Heater Operation</b>	Switch on .....	13
	Start-Up .....	13
	Temperature setting .....	13
	Temperature Control .....	13
	Switching Off .....	13
	Controls & Safety Equipment .....	13
	Operational Flow Chart .....	14
	Schematic 25 1976/1977 .....	15
	Schematic 25 1965/1966 .....	16
Schematic 25 1895/1896 .....	17	
<b>Maintenance, Troubleshooting &amp; Repairs</b>	Periodic Maintenance .....	18
	Basic Troubleshooting .....	18
	Self Diagnostic Troubleshooting .....	19
	Fuel Quantity Test .....	22
	Component Spec chart .....	22
	Repair Steps .....	23
<b>Heater Parts</b>	D1LC Compact-Parts Diagram .....	26
	D1LC Compact-Parts List .....	29

---

### Special Notes

**Note:** Highlight areas requiring special attention or clarification.

**Caution:** Indicates that personal injury or damage to equipment may occur unless specific guidelines are followed.



**Warning:** Indicates that serious or fatal injury may result if specific guidelines are not followed.

## Heater Warnings

### Warning To Installer:

Correct installation of this heater is necessary to ensure safe and proper operation.  
Read and understand this manual before attempting to install a heater.

### Warning - Explosion Hazard

1. Heater must be turned off while re-fueling.
2. Do not install heater in enclosed areas where combustible fumes may be present.
3. Do not install heaters in engine compartments of gasoline powered boats.

### Warning - Fire Hazard

1. Install heater so it will maintain a minimum distance of 2" from any flammable or heat sensitive material.
2. Install the exhaust system so it will maintain a minimum distance of 2" from any flammable or heat sensitive material.
3. Ensure that the fuel system is intact and there are no leaks.

Failure to follow these instructions could cause fire resulting in serious or fatal injury.

### Warning - Asphyxiation Hazard

1. Route the heater exhaust so that exhaust fumes can not enter any passenger compartments.
2. Ensure an air tight seal will be maintained between the heater and mounting surface and at any exhaust connection points.
3. Ensure that heating air supply is taken from an area where poisonous gases will not be present.
4. If running exhaust components through an enclosed compartment, ensure that it is vented to the outside.

Failure to follow these instructions could cause oxygen depletion resulting in serious or fatal injury.

Direct questions to Espar Heater Systems

**USA 1-800-387-4800**

**CDA 1-800-668-5676**

## Introduction

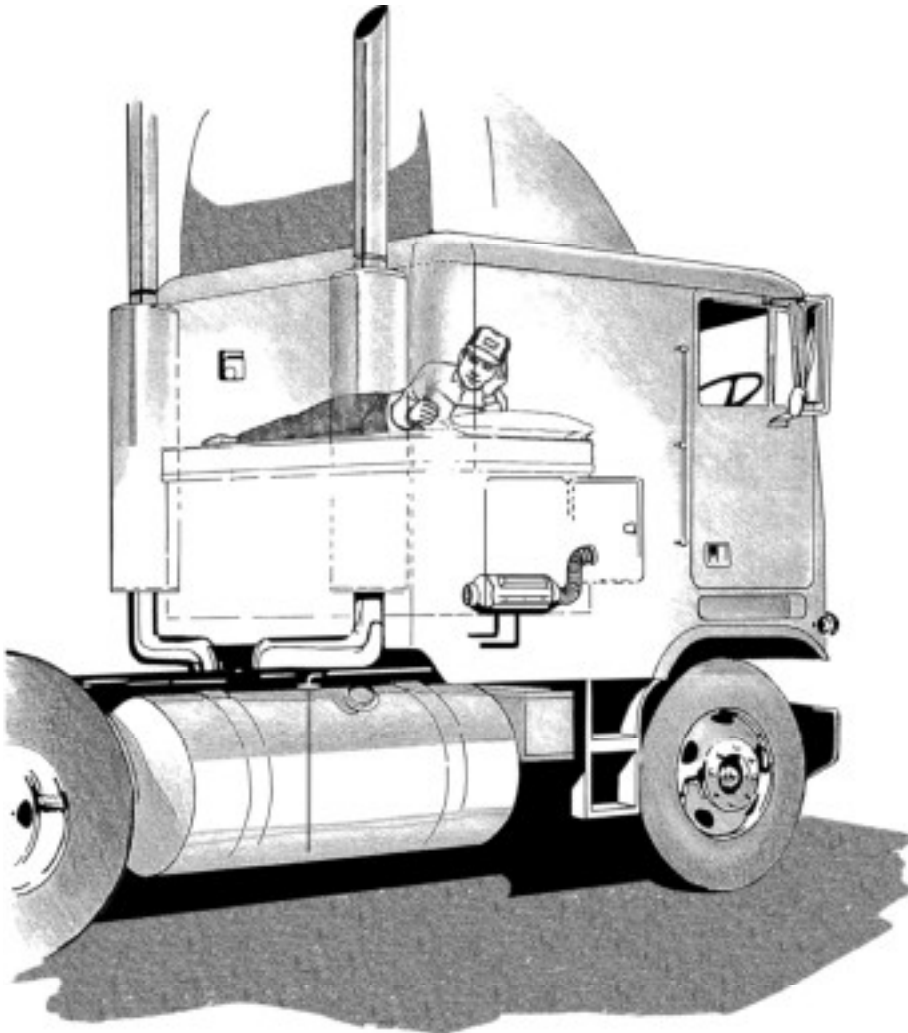
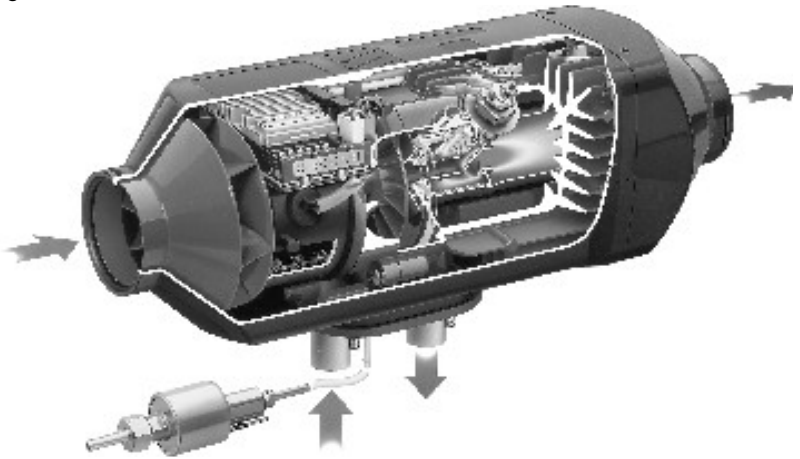
### Espar D1LC Compact Air Heater

The Espar D1LC compact is a diesel-fired 7,500 BTU/HR air heater, quality engineered to provide a dependable means of space heating. This heater is uniquely designed for inside mounting and ease of installation.

The heater provides hot air to the interior of vehicles passenger comfort. Since the heater runs on diesel and 12 or 24 volt power, it is able to provide space heat completely independently of the vehicle engine.

The heater is operated by a rheostat switch or room thermostat. It cycles through four temperature settings (boost-high-medium-low) in order to maintain the desired temperature.

If, in special cases, less heating capacity is required the heater supplies in the "Low" setting, the heater switches to the "Off" setting. Temperature and overheat limit switches, and a specially designed heat exchanger are among the safety features which make this heater a safe and dependable unit.



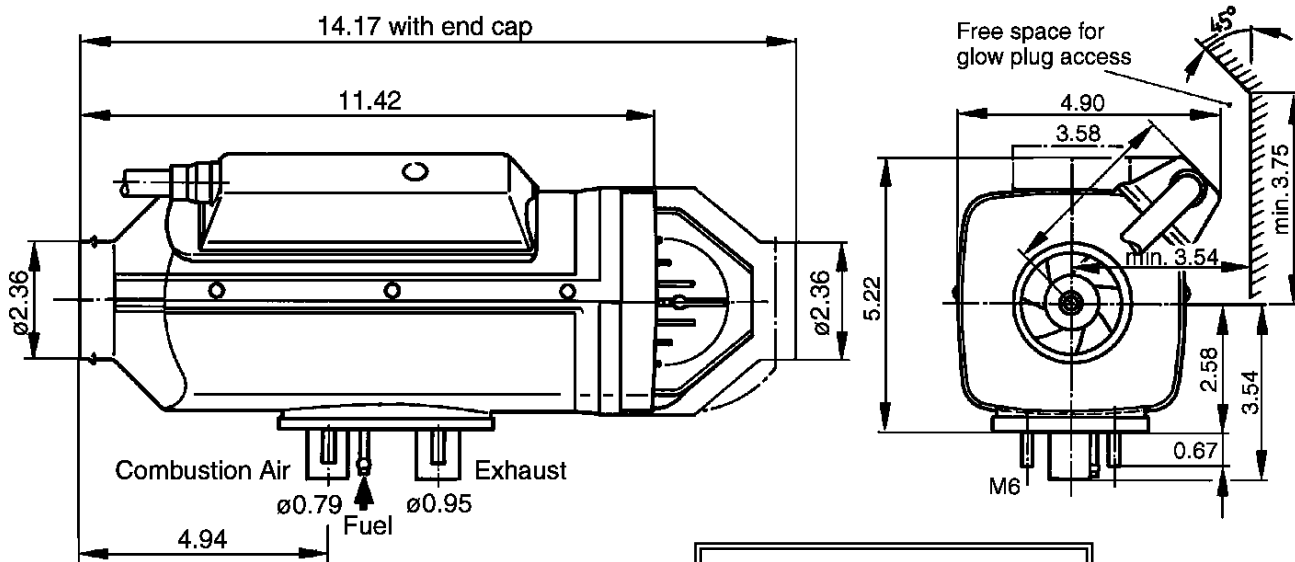
## Specifications

Heat Output ( $\pm 10\%$ )	7,500 BTU/hr Boost 6,150 BTU/hr High 4,100 BTU/hr Medium 2,900 BTU/hr Low		
Current at 12v ( $\pm 10\%$ )	20.8 amps/hr - Start 2.5 amps/hr - Boost 1.8 amps/hr - High 0.8 amps/hr - Medium 0.8 amps/hr - Low		
Current at 24v ( $\pm 10\%$ )	11.25 amps/hr - Start 1.25 amps/hr - Boost 0.9 amps/hr - High 0.4 amps/hr - Medium 0.4 amps/hr - Low		
Fuel Consumption ( $\pm 10\%$ )		U.S. Gal/hr	Litre/hr
	Boost	.07	.27
	High	.06	.21
	Medium	.04	.14
	Low	.03	.10
Air Flow ( $\pm 10\%$ )	50 cfm Boost 43 cfm High 30 cfm Medium 30 cfm Low		
Operating Voltage Range	10.5 to 15.9 vdc at 12 vdc 21.0 to 31.8 vdc at 24 vdc		
Overheat Temperature Shutdown ( $\pm 10\%$ )	240°F (116°C)		
Ambient Operating Temperature	-40°F to 122°F (-40°C to 50°C)		
Weight	7.7 lbs. (3.5kg)		

**Note:** The heater control unit is equipped with a low voltage cutout to prevent vehicle battery drain and a high voltage cutout to protect heater electrical parts.



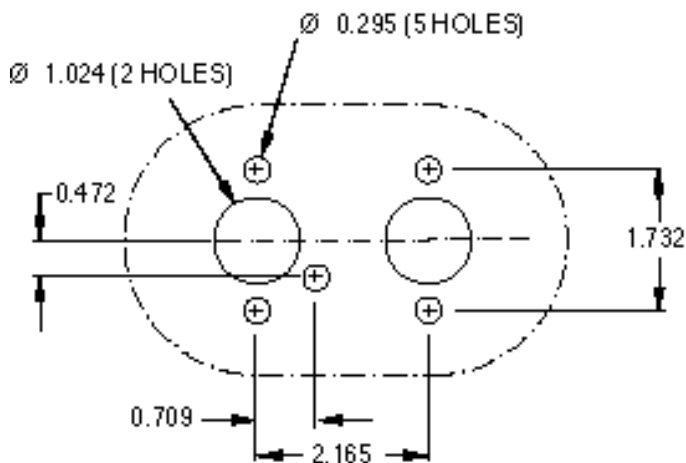
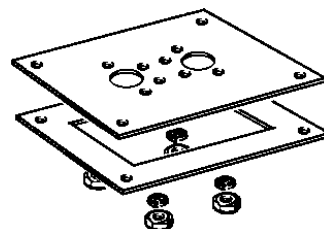
Principal Dimensions



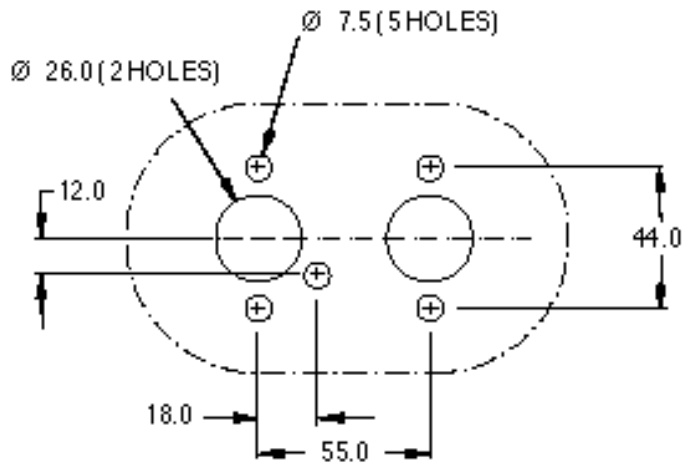
\* All measurements in inches  
1"= 2.5 cm

Mounting Pattern

If fastening to the vehicle wall/floor, make penetrations in accordance with the hole pattern shown below. A pre-punched mounting kit is also available as shown beside.

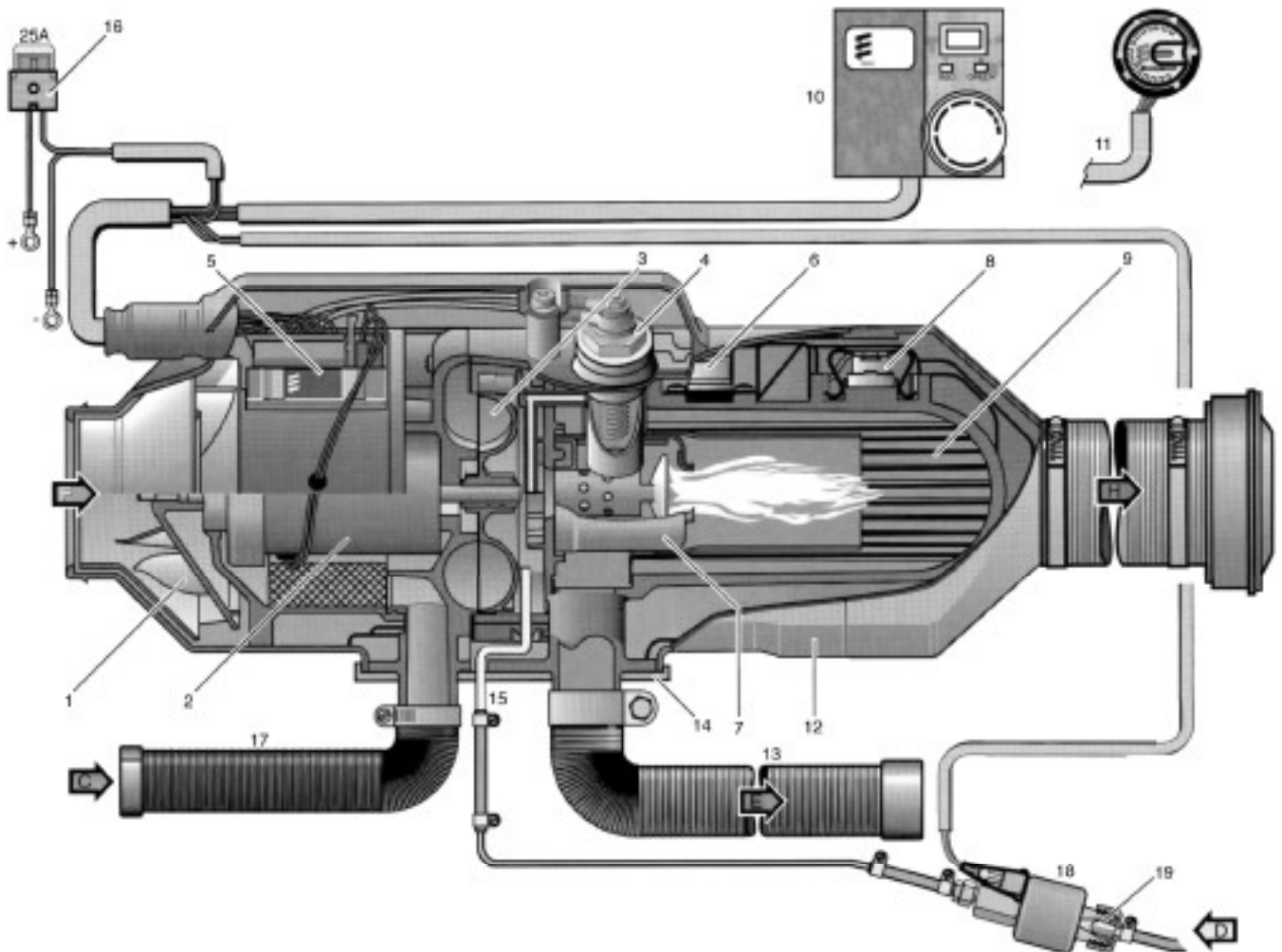


Inches



Millimeters

## Heater Components



- 1 Hot Air Blower Wheel
- 2 Blower Motor
- 3 Combustion Air Blower Wheel
- 4 Glow Plug
- 5 Control Unit
- 6 Safety Thermal Sensor
- 7 Combustion Chamber
- 8 Flame Monitor
- 9 Heat Exchanger
- 10 Operating Unit (Thermostat)

- 11 Operating Unit (Rheostat)
- 12 Outer Casing
- 13 Exhaust Line
- 14 Flange Seal
- 15 Fuel Line
- 16 Main Fuse, 25 A
- 17 Combustion Air Intake Line
- 18 Fuel Metering Pump
- 19 Fuel Strainer

**C = Combustion Air**  
**D = Fuel**  
**E = Exhaust**  
**F = Fresh Air**  
**H = Hot Air**



## Installation Procedures

### Heater Location

Depending on the type of vehicle, the best location for mounting the heater will vary. Typically, heaters are mounted inside tool or luggage compartments. However, the heater may be mounted anywhere inside the vehicle provided you adhere to the following conditions:

- Combustion air intake, exhaust and fuel inlet must be located outside of the vehicle.
- Heater must be mounted on flat horizontal surface providing an air tight seal between heater and vehicle.
- Do not mount the heater outside the vehicle, unless care is taken to protect the heater from the weather.

### When selecting the location, consider the following:

- Combustion air and exhaust connections.
- Ducting.
- Fuel line connections.
- Electrical connections.

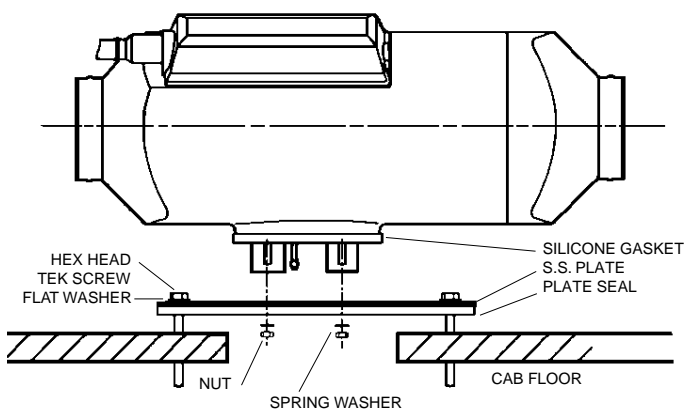
### Heater Mounting

A mounting plate and hardware are provided with the truck heater kit.

- Choose heater location.
- Using template provided, drill and cut center hole. Cut one (1) four and one half inch (4 1/2") diameter hole or one rectangular hole four (4") by five (5") inches.
- Mount heater on mounting plate with nuts and spring washers provided.
- For ease of installation make the exhaust, combustion air intake and fuel connections at base of heater before mounting the heater into the vehicle.
- Position heater in vehicle and secure with "Tek" screws provided.

### Heater Mounting Plate Installation

Figure IIA



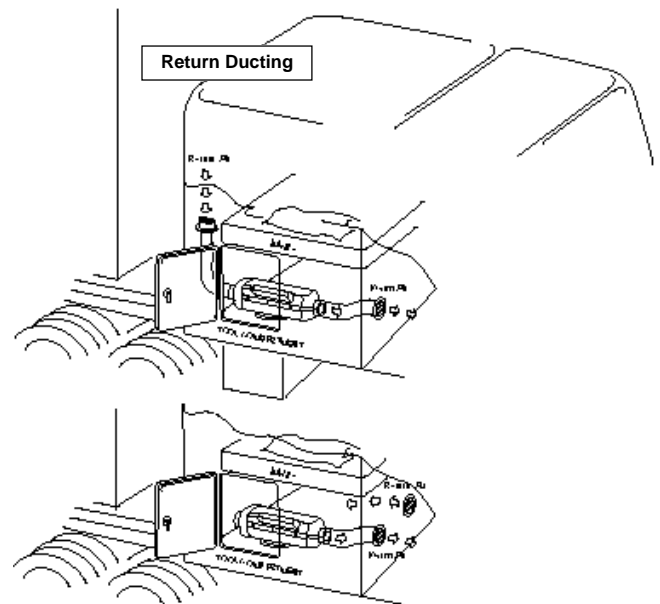
**Note:** Tighten screws sufficiently to ensure positive seal between mounting plate and mounting surface. Do not over tighten.

### Heater Air Ducting

#### Installation

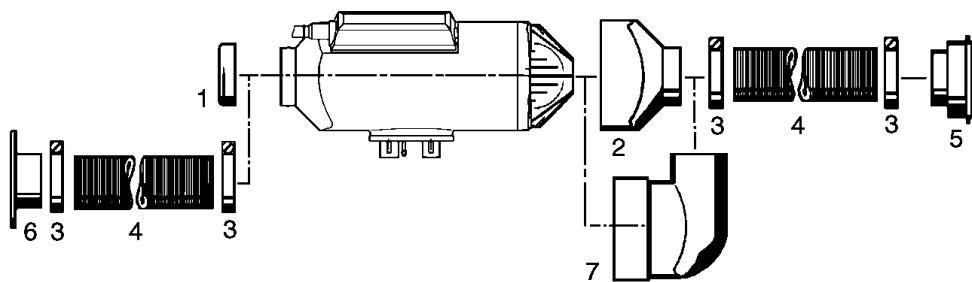
A 60mm flexible duct 40 inches long, hot air outlet and clamps are provided with the heater kit.

- In routing and installing the ducting the following criteria must be observed:
- Run ducting with smooth bends. Avoid crushing duct.
- Position hot air outlet so that it cannot be obstructed.
- Use protective air intake grille on air inlet side of heater to prevent objects from being sucked in.
- Ensure provisions are made for proper air return ventilation.
- Use return air ducting for best heating efficiency (see below).





### Ducting Components



- 1. Protective Grill
- 2. Air Outlet Hood
- 3. Hose Clamp 2-2 3/4"
- 4. Flex Duct 2 3/8"
- 5. Air Outlet - Rotatable
- 6. Connection Piece
- 7. 90° Bend Ducting 2 3/8"



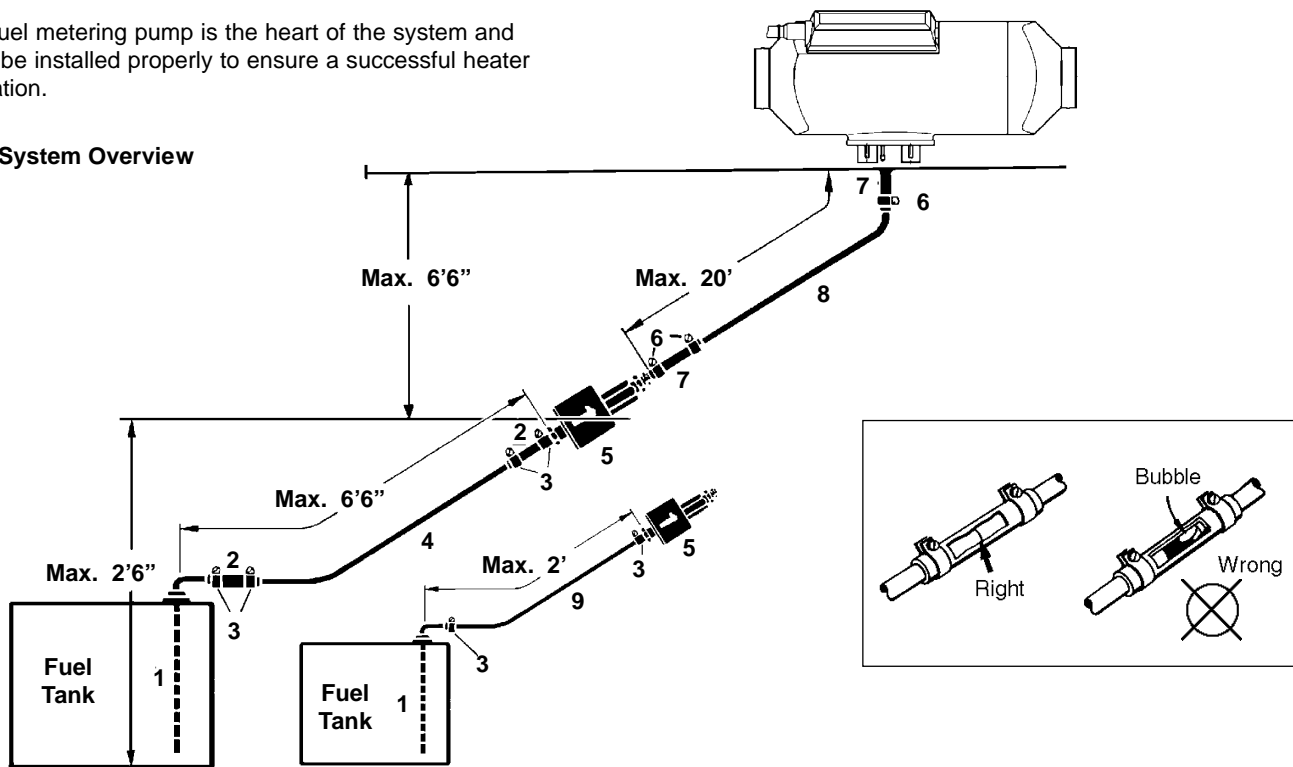
**Warning:** Do not use existing vehicle ducting or outlets. Ducts and outlets must be capable of withstanding a minimum of 300°F operating temperatures. To avoid exhaust leakage, the heater must always be operated with an end cap installed.

**Caution:** Do not over tighten duct clamps. Do not position outlet so that it will blow hot air directly at operator or at room thermostat.

### Fuel System

The fuel metering pump is the heart of the system and must be installed properly to ensure a successful heater operation.

#### Fuel System Overview



Optional

**Note:** Butt joints and clamps on all connections.

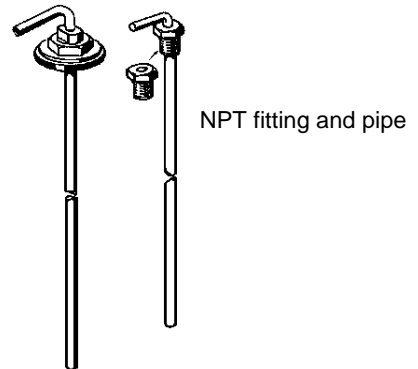
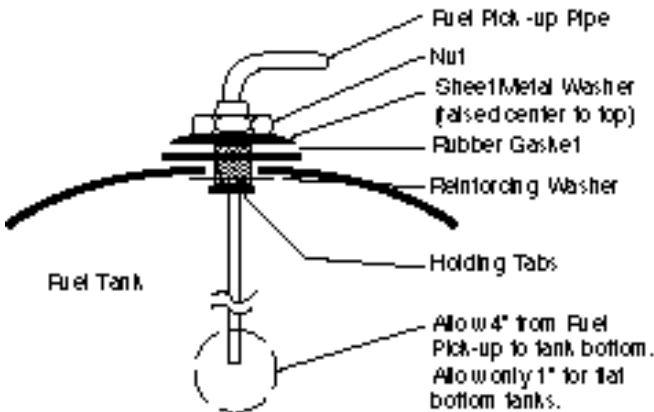
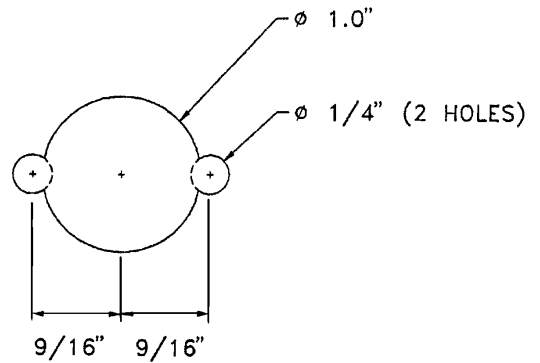
- 1. Fuel Pick-Up Pipe
- 2. 5.0 Rubber Connector
- 3. 11mm Clamp
- 4. 2.0mm Black Plastic Fuel Line
- 5. Fuel Metering Pump
- 6. 9mm Clamp
- 7. 3.5mm Rubber Connector
- 8. 1.5mm White Plastic Fuel Line
- 9. 5mm Rubber Fuel Line



## Fuel Pick-Up Pipe Installation (Standard Pick-Up)

- Choose a protected mounting location close to the fuel pump and heater. A spare fuel sender gauge plate provides an ideal mounting location.
- Drill the mounting holes as shown
- Cut the fuel pick-up pipe to length.
- Mount the fuel pick-up pipe as shown.
- Lower the fuel pick-up pipe (with reinforcing washer) into the tank using the slot created by the two 1/4" holes.
- Lift the assembly into position through the 1" hole.
- Assemble the rubber washer, metal cup washer and nut.

**Note:** Drill the two 1/4" holes first.



## ( Custom Pick-Up Pipe with NPT fitting )

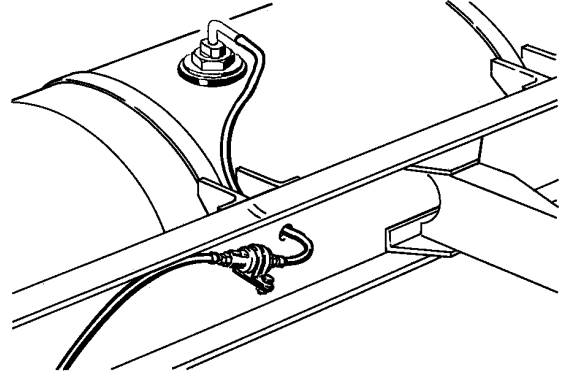
- Remove an existing plug from the top of the fuel tank.
- Cut the fuel pick-up pipe to length.
- Secure the fuel pick-up pipe into position using the combined NPT compression fitting

**Note:** NPT fittings are available in various sizes (Refer to parts section).

## Fuel Metering Pump

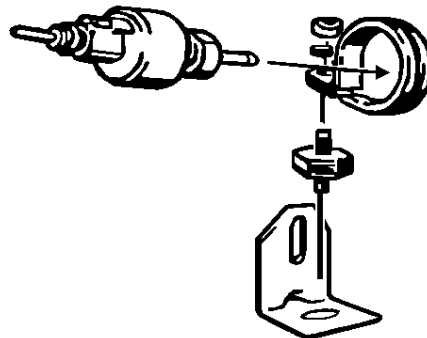
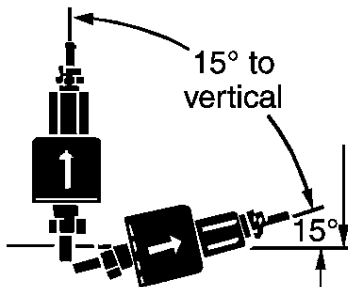
- Choose a protected mounting location close to the fuel pick-up pipe and heater.
- Using the bracket and rubber mount provided, install fuel pump as shown

**Note:** Proper mounting angle of the fuel pump is necessary to allow any air or vapor in the fuel lines to pass through the pump rather than cause a blockage.



## Fuel Line

- Route fuel lines from the fuel pick-up pipe to the fuel metering pump then to the heater.
- Use fuel lines provided.
- Other sizes or types of fuel lines may inhibit proper fuel flow.
- Make proper butt joints using clamps and connector pieces as shown on page 8
- Use a sharp utility knife to cut plastic fuel lines to avoid burrs.





**Electrical Connections**

**Caution:** *Install power fuse only after all electrical connections are complete.*

**Main Harness**.....

11 core harness (red/white, green/red, blue/white, red, white, grey/red, grey, brown, brown, brown/white and yellow). Connect to heater control unit (mounted in heater) using the 14 pin connector then connect glow plug connector. Place protective hood over glow plug and control unit & secure. Connect to other harnesses as described for each harness.

**Power Harness**.....

2 core harness (red and brown). Connect red wire to fuse holder near battery. Connect red fuse link wire to other side of fuse holder. Connect other end of fuse link wire directly to battery positive post using ring terminal provided. Connect brown wire directly to battery negative post using ring terminal provided. Run power harness to main harness - connect 2 pin connectors

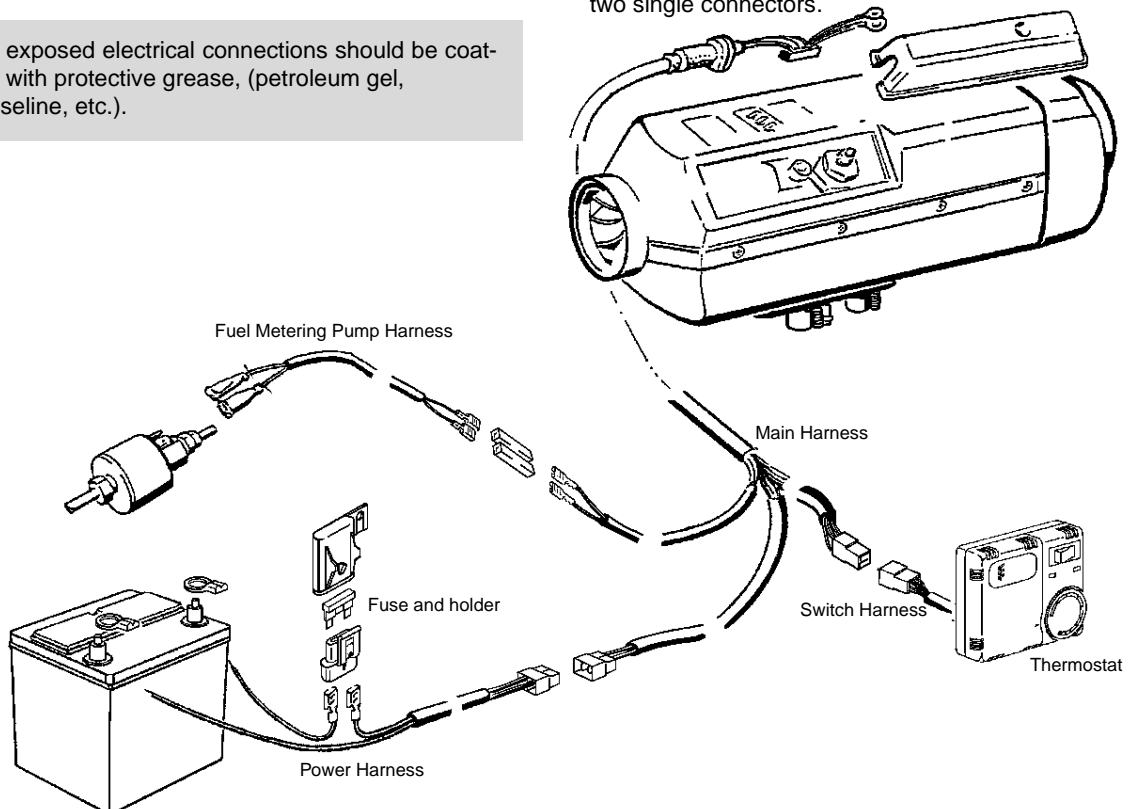
**Switch Harness**.....

7 core harness (red, brown/white, yellow, grey, blue/white, brown and grey/red ). Connect to rheostat switch or thermostat (refer to switch connection section). Connect switch harness to main harness using 8 pin connector.

**Fuel Metering Pump Harness**.....

2 core harness (green/red and brown). Connect to fuel metering pump using single terminals and rubber protective boots (no polarity required). Connect fuel metering pump harness to main harness using two single connectors.

**Note:** All exposed electrical connections should be coated with protective grease, (petroleum gel, Vaseline, etc.).



## Exhaust and Combustion Air Intake Connections

A 24mm flexible stainless steel exhaust pipe (39" long) and a 20mm flexible plastic tube (39" long) for combustion air intake are included with the heater kit. Exhaust clamps and holders are also provided.

**Caution:** Run exhaust and combustion air intakes so they cannot be plugged by dirt, water or snow. Ensure the outlets do not face into the vehicle slip stream.

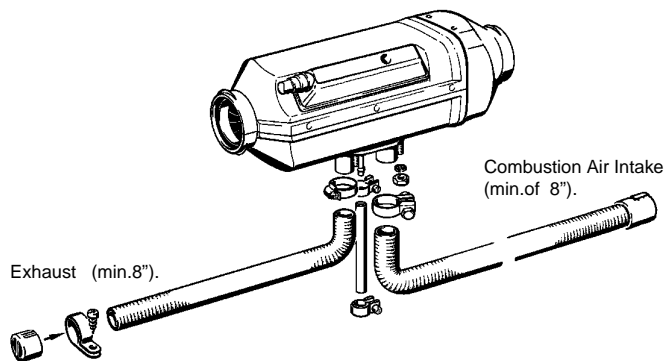
Keep exhaust and combustion air intake a minimum of 12" apart.

Drill 1/8" holes where necessary to allow water drainage.

Balance the exhaust pipe length with the combustion air intake length.

Combustion air intake and exhaust lengths can be shortened to a minimum of 8".

- Attach the exhaust pipe to the exhaust outlet of the heat exchanger
- Run to an open area to the rear or side of the vehicle so that fumes cannot build up and enter the cab or the combustion air inlet to the heater.
- Install protective cap.
- Attach the combustion air intake tube to the combustion air inlet of the heater
- Once secure to the heater inlet, the intake pipe must run to the underside of the vehicle where it will pick up clean, fresh, moisture free air.



**Warning:** The exhaust is hot, keep a minimum of 2" clearance from any heat sensitive material

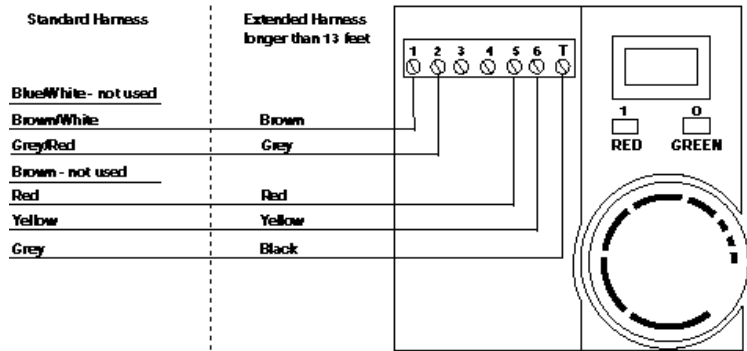
**Warning:** Route exhaust so that the exhaust fumes cannot enter the passenger compartment.

## Operating Switches

The heater can be controlled using a Thermostat or Rheostat type switch. It can also be accessed by a 7 day timer with thermostat.

### Thermostat

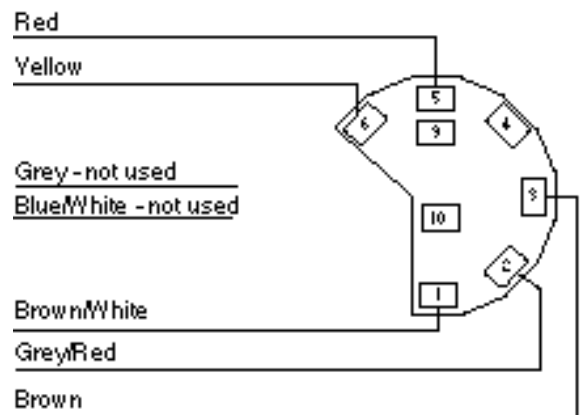
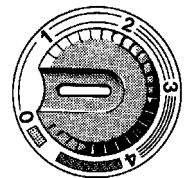
- Mount the thermostat in a location where it is easily accessible and it's temperature sensor is representative of the area being heated.
- Mount using the mounting slots in it's base.
- Connect the six core switch harness to the thermostat as shown



### Rheostat Switch

**Note:** When using Rheostat switch, the **Return Ducting** method must be used as shown on page 7. This allows the heater's internal sensor to properly monitor cab temperature.

- Mount the rheostat switch in a location where it is easily accessible.
- Connect the six core switch harness as shown





## Heater Operation

- ⚠ Warning:** To prevent fire, the heater must be switched off while filling fuel tanks. To prevent asphyxiation, the heater must not be operated in enclosed areas.

### 1 Switch On

- Switch the heater on using the room thermostat's, On/Off switch (1=On, 0=Off ) or the rheostat switch.

### 2 Start Up

On start up the indicator light illuminates and the following sequences take place:

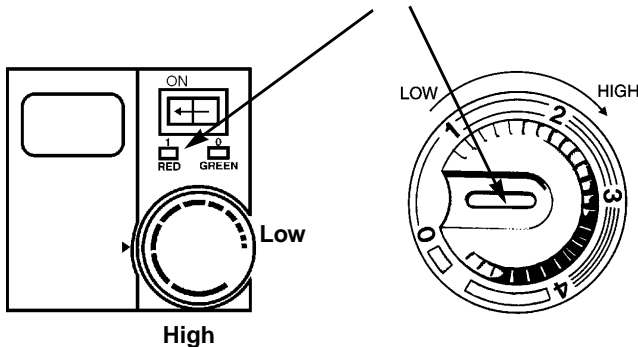
- Control unit does a systems check (glow plug, flame sensor, temperature sensor, safety thermal sensor).
- Blower starts slowly and begins to accelerate.
- Glow plug is energized and starts preheating the combustion chamber.
- After a short delay (approximately 15 seconds) the fuel pump delivers fuel.
- Ignition will take place as the fuel/air mixture contact the glow plug.
- Blower speed and fuel delivery are slowly increased.
- Once flame is established the glow plug will switch off.
- Heater will begin heating.

### 3 Temperature Setting

Using the adjusting dial, set the desired temperature range. From 1-4

- Lowest Setting - approx. 10°C (50°F)
- Mid - Setting - approx. 18°C (65°F)
- Highest Setting - approx. 30°C (85°F)

Operation  
indicating light



### 4. Temperature Control

- The temperature is monitored constantly at the heater intake or thermostat.
- This temperature is compared to the set temperature on the adjusting dial.
- The heater cycles through Boost, High, Medium and Low heat modes to maintain the desired temperature.
- If the desired temperature is exceeded while the heater is operating in low heat mode the heater will switch off. This is a comfort feature.
- The heater will re-start in medium heat mode once heat is again required.

### 5 Switch Off

Once switched off either manually or automatically, the heater begins a controlled cool down cycle.





- The fuel pump stops delivering fuel.
- The glow plug is re-energized for a 15 second after-glow.
- The blower continues to run for 3 minutes and automatically switches off.

### 6 Controls and Safety Equipment

- If the heater fails to ignite within two 90 second start attempts, a "no start" shut down occurs.
- If a flame out occurs after the heater has started, the heater will attempt to restart.
- If repeated flame outs occur within 10 minutes the heater will not restart.
- Overheat shut down will occur if there is a restriction of the heating air flow (i.e. blocked inlet or outlet). The overheat switch will automatically reset once the heater has cooled down. Once the air flow restriction is removed, the heater can be re-started by switching the heater off then back on.
- If the voltage drops below 10.5 volts or rises above 15.9 volts the heater will shut down (21volts and 30 volts for 24 volt systems).
- If the glow plug circuit or fuel metering pump circuit are interrupted the heater will not start.
- The blower motor is checked on start up and every 4 minutes. Shut down will occur if the blower does not start or maintain proper speed.



Operational Flow Chart

		STARTING PHASE				RUNNING PHASE		SHUT DOWN PHASE											
 Operational Mode 1: Pre-heat	Pre-heat	On	On	On	Pre-heat 2nd. attem pt	Ignition Attem pt 2nd. attem pt	On	On	On	On	On	On	On	On	On	On	On	On	On
	Pre-heat	On	On	On	On	On	On	On	On	On	On	On	On	On	On	On	On	On	On
	Pre-heat	On	On	On	On	On	On	On	On	On	On	On	On	On	On	On	On	On	On
	Pre-heat	On	On	On	On	On	On	On	On	On	On	On	On	On	On	On	On	On	On
 Operational Mode 2: Pre-heat	Pre-heat	On	On	On	On	On	On	On	On	On	On	On	On	On	On	On	On	On	On
	Pre-heat	On	On	On	On	On	On	On	On	On	On	On	On	On	On	On	On	On	On
	Pre-heat	On	On	On	On	On	On	On	On	On	On	On	On	On	On	On	On	On	On
	Pre-heat	On	On	On	On	On	On	On	On	On	On	On	On	On	On	On	On	On	On
 Operational Mode 3: Pre-heat	Pre-heat	On	On	On	On	On	On	On	On	On	On	On	On	On	On	On	On	On	On
	Pre-heat	On	On	On	On	On	On	On	On	On	On	On	On	On	On	On	On	On	On
	Pre-heat	On	On	On	On	On	On	On	On	On	On	On	On	On	On	On	On	On	On
	Pre-heat	On	On	On	On	On	On	On	On	On	On	On	On	On	On	On	On	On	On
 Operational Mode 4: Pre-heat	Pre-heat	On	On	On	On	On	On	On	On	On	On	On	On	On	On	On	On	On	On
	Pre-heat	On	On	On	On	On	On	On	On	On	On	On	On	On	On	On	On	On	On

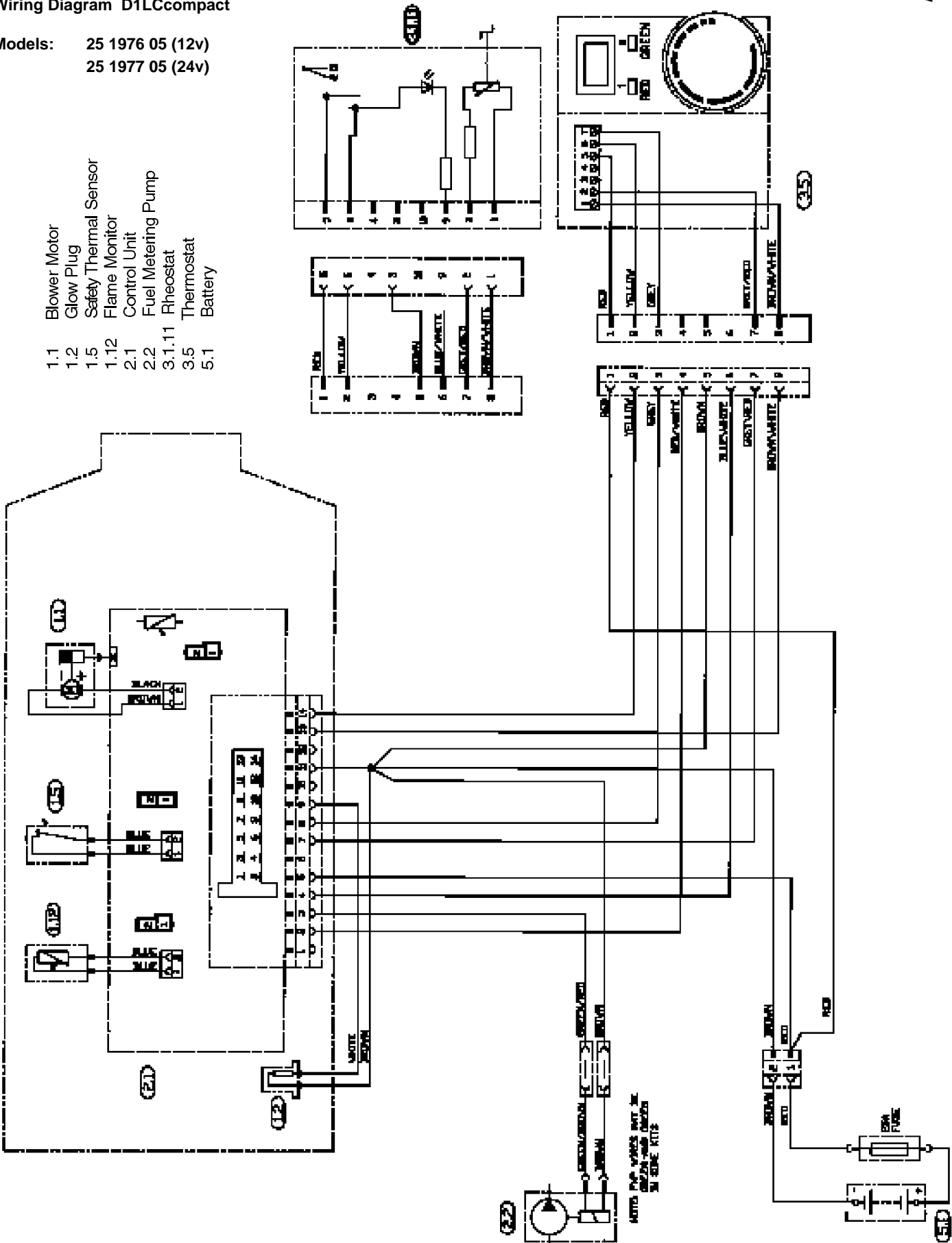
15 sec. Up to 90 sec. If Required



**Wiring Diagram D1LCcompact**

**Models:** 25 1976 05 (12v)  
25 1977 05 (24v)

- 1.1 Blower Motor
- 1.2 Glow Plug
- 1.5 Safety Thermal Sensor
- 1.12 Flame Monitor
- 2.1 Control Unit
- 2.2 Fuel Metering Pump
- 3.1.11 Rheostat
- 3.5 Thermostat
- 5.1 Battery

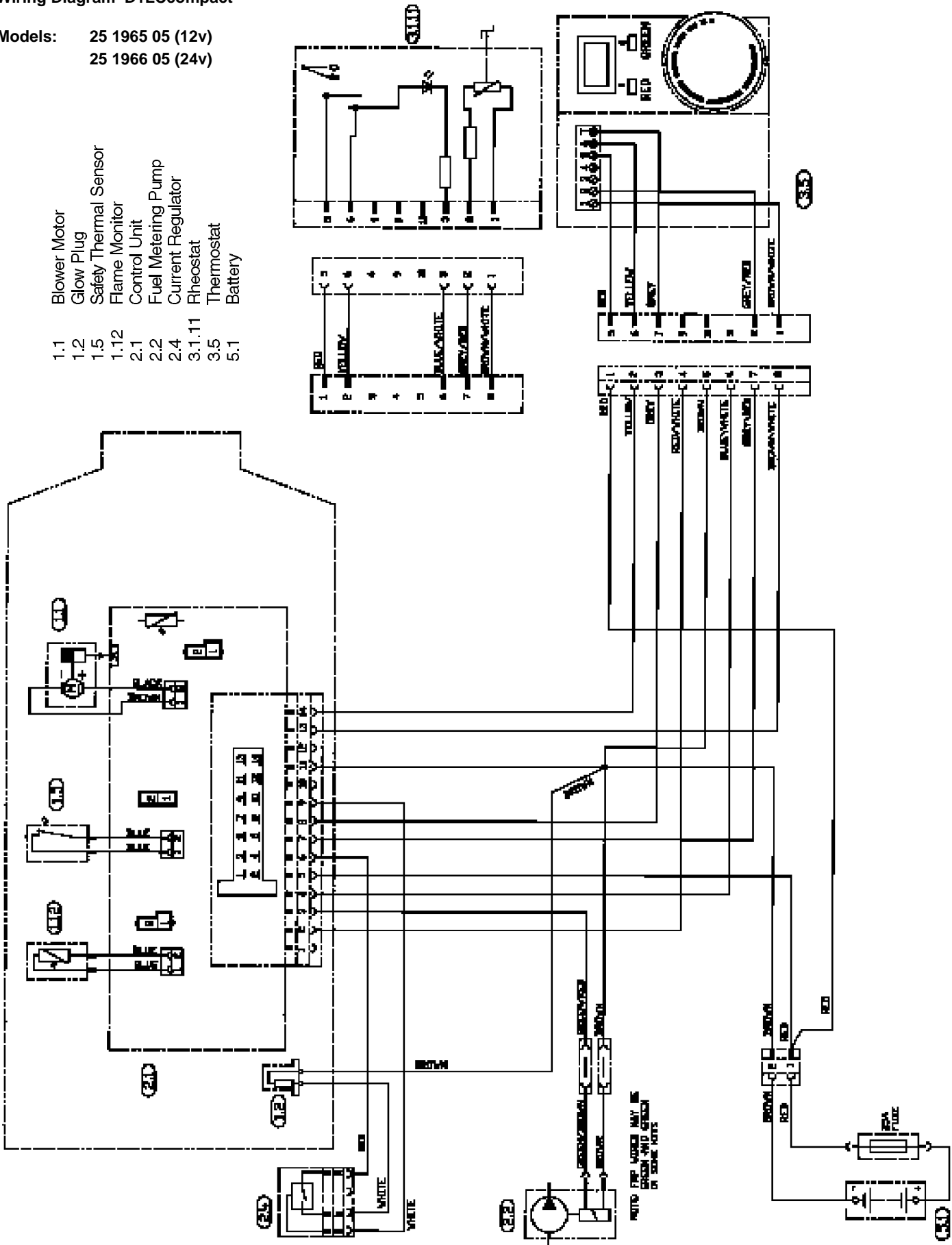




Wiring Diagram D1LCcompact

Models: 25 1965 05 (12v)  
25 1966 05 (24v)

- 1.1 Blower Motor
- 1.2 Glow Plug
- 1.5 Safety Thermal Sensor
- 1.12 Flame Monitor
- 2.1 Control Unit
- 2.2 Fuel Metering Pump
- 2.4 Current Regulator
- 3.1.11 Rheostat
- 3.5 Thermostat
- 5.1 Battery

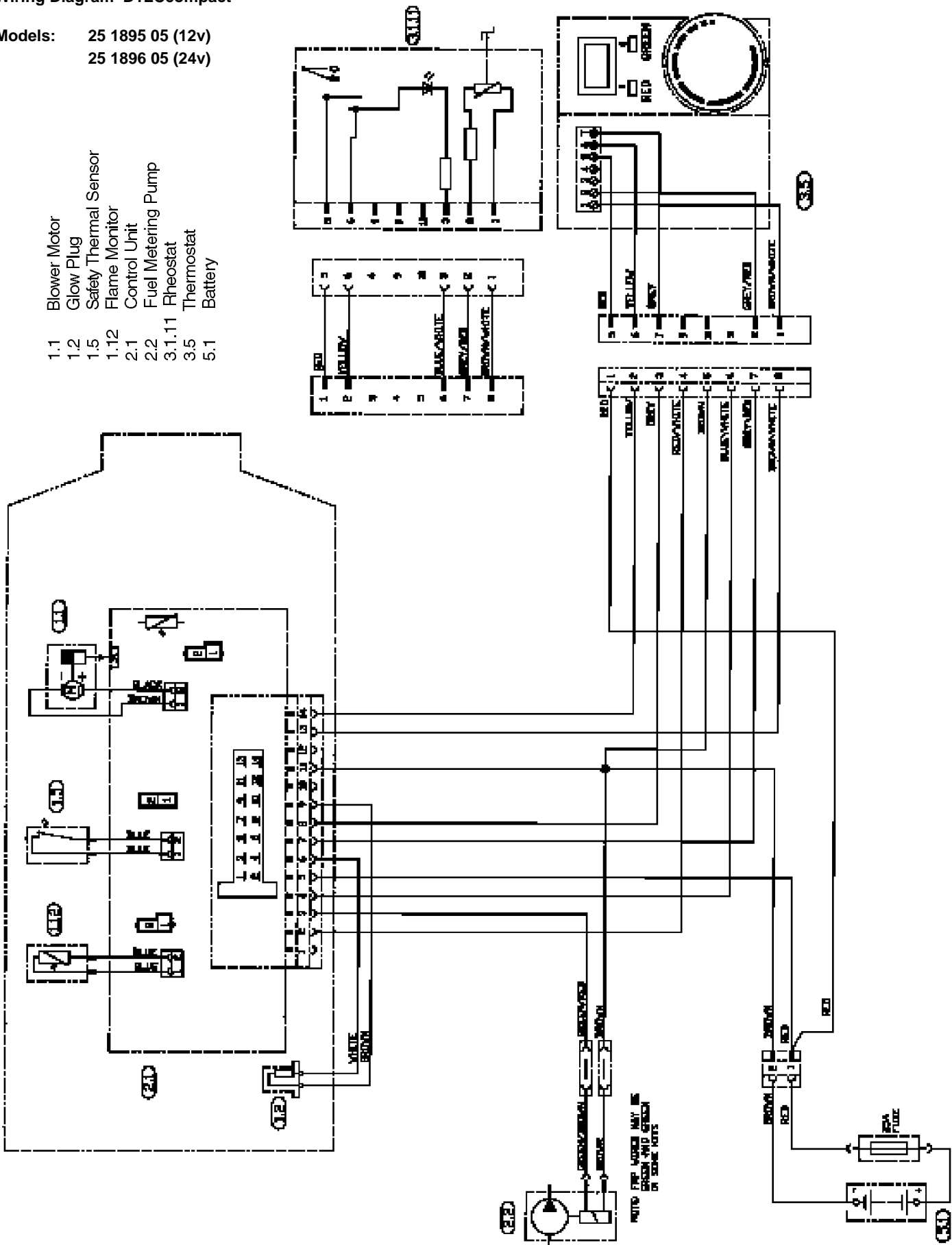




### Wiring Diagram D1LCcompact

Models: 25 1895 05 (12v)  
25 1896 05 (24v)

- 1.1 Blower Motor
- 1.2 Glow Plug
- 1.5 Safety Thermal Sensor
- 1.12 Flame Monitor
- 2.1 Control Unit
- 2.2 Fuel Metering Pump
- 3.1.11 Rheostat
- 3.5 Thermostat
- 5.1 Battery

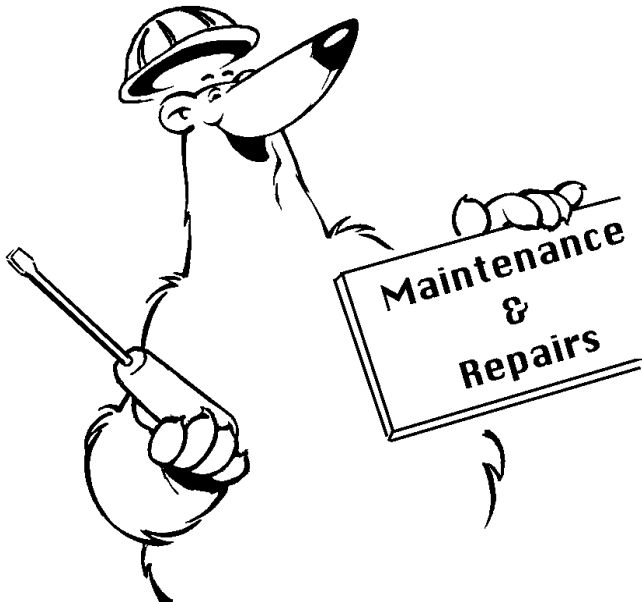


NOTE: FIRE HAZARD MAY BE CREATED IF WIRING IS INCORRECT OR PARTS ARE MISSING

## Maintenance, Troubleshooting and Repairs

### Recommended Periodic Maintenance

- Remove the **glow plug** and inspect for carbon build up. Clean or replace.
- Remove the **glow plug screen** and inspect for carbon build up. Clean or replace. If cleaning is required, use brass brush (Espar part number CA0 05 003).
- Make sure **vent hole** is open. Espar recommends the use of non detergent 100% volatile carburetor cleaner and an air gun will also help. Remove loose carbon from the glow plug chamber.
- Inspect the **ducting**, the air intake screen and air outlet for restriction or blockage.
- Inspect **combustion air intake and exhaust** for blockage.
- Run your heater and check for proper operation during regular preventative maintenance throughout the year.
- **Maintain your batteries** and all electrical connections in good condition. With insufficient power the heater will not start. Low and high voltage cutouts will shut the heater down automatically.
- Use **fuel suitable for the climate** (see engine manufacturers recommendations). Blending used engine oil with diesel fuel is not permitted.



## Basic Troubleshooting

### Check List:

What happens when the heater is switched on and ....

#### Heater does not ignite

##### 1 Blower motor does not run

- Check:**
- Fuse in power harness.
  - Power to control unit.
  - Power to switch.
  - Electrical connections.

##### 2 Blower motor runs approximately 20 seconds and then shuts off

- Check:**
- Ensure voltage at control unit remains above 9.5 volts during start up with glow plug circuit on.

##### 3 Blower motor runs/fuel metering pump starts and then shuts down after two 90 second start up cycles

- Check:**
- Fuel lines and fuel filter.
  - Fuel quantity.
  - Combustion air or exhaust tube blockage.

##### 4 Blower motor runs/no fuel metering pump

- Check:**
- For electrical pulses at fuel metering pump.
  - If pump is frozen.
  - Blocked fuel line.

#### Heater ignites

##### 1 Shuts down at random

- Check:**
- Fuel metering pump quantity.
  - Possible overheat.
  - Control unit input voltage.

##### 2 Heater smokes and carbons up

- Check:**
- Exhaust pipe blocked.
  - Combustion air intake blocked.
  - Exhaust entering combustion air intake pipe.
  - Short cycling, rapid on/off operation.
  - Fuel system.
  - Fuel metering pump quantity.
  - Motor rpm.




## Self Diagnostics

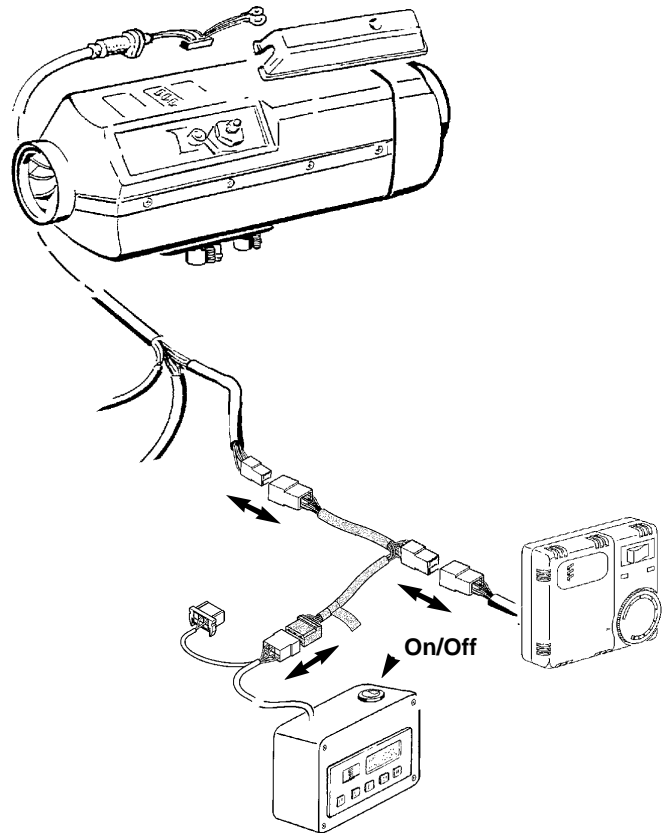
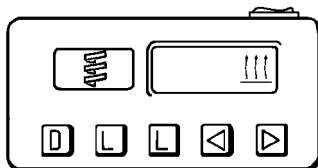
The heater is equipped with self diagnostic capability. To retrieve information on the heaters last 5 faults, a retrieval device is required (part # CA1 05 020).

Connect the fault code retrieval device as shown

Equipment Face and Controls

Symbols that are seen on the display face are as follows:

AF	Actual fault.
F1-F5	Up to five stored faults can be accessed. The AF and F1 are the same number.
	This sign is displayed when the heater is in operation.
DIAG	The word (Diagnostic) will come on when the diagnostic number is requested.
000	Three digit diagnostic fault code number.



**Retrieval Device**

- Switch the fault code retrieval device on and wait 10 seconds.
- Press the "D" button.
- Wait 3-5 seconds for the current fault code to appear (AF).
- To review the previous faults use the arrow buttons (F1= Most Recent, F5= Oldest).
- To erase the faults that are in memory press both "L" keys at the same time.
- Consult the fault code chart for code number descriptions.

**Note:** If there are no heater faults, the heater will go through a normal start cycle and regulate based on thermostat setting.

<b>Fault Code</b>	<b>Fault Description</b>	<b>Causes / Repair</b>
000	Normal Operation	
001	Warning - overvoltage	Check vehicle charging system.
002	Warning - undervoltage	Check batteries and connections.
004	Warning - short in blower signal	Check for short between pin 1 to blower relay. If no short exists replace control unit.
005	Warning - short circuit in anti-theft alarm output	Check for short between pin 2 and alarm relay.
009	TRS - shut down	Check for change of signal from (+) to (-) at pin 10 or a (+) signal at pin 12.
010	Overvoltage	Check voltage between terminals 9 and 11. This must be less than 15.9 volts (15.2 volts with glow plug on). Check vehicle charging system.
011	Undervoltage shut down	Check voltage between control unit pins 9 and 11. This must be greater than 10.5 volts (9.5 volts with glow plug on). Check batteries and connections.
012	Overheat	Check for possible causes of overheat. Check overheat switch resistance values. (see component value chart).
013	Overheat at flame sensor	Flame sensor senses temperature above 340°C (resistance value above 2270 $\Omega$ ). Check flame sensor resistance values and overheat switch resistance values (see component value chart).
015	Too many overheats	Control unit limits heater to 3 consecutive overheats (fault code 12,13). Remove cause of over heat. Reset control unit using control unit tester or fault code retrieval device to unlock control unit.
020	Open circuit - glow plug	Check glow plug for break in coils. Check resistance across glow plug leads (1-2 $\Omega$ ). Check for continuity between pins 6 and 9. If aforementioned checks okay, replace control unit.
021	Short circuit - glow plug	Check glow plug for short across coils. Check pin 6 to glow plug for short. If glow plug short detected, replace glow plug. If aforementioned checks okay replace control unit
025	Diagnostics output short	Check for short between pin 4 and diagnostics and output connection.
033	Burner motor speed deviation	Motor speed varies from specification by more than 10% for longer than 30 seconds. If too slow, check for restriction, and check for short in motor circuit or control unit. If none found, replace blower. If too fast, check for damage to magnetic sensor control on control unit. Replace blower motor if damaged. Replace control unit otherwise.



Fault Code	Fault Description	Causes / Repair
047	Short circuit - fuel metering pump	Check for short between pin 3 and fuel metering pump. Test fuel metering pump.
048	Open circuit - fuel metering pump	Check for open circuit between pins 3 and fuel metering pump.
050	Too many no start attempts	Control unit restricts heater to 10 start attempts (20 starts if no flame is detected during start attempts). Check fuel, glow plug, combustion air and exhaust flow. Use control unit tester or fault code retrieval device to unlock control unit.
051	Faulty flame recognition	Allow heater to cool 15 minutes then try restart. Check flame sensor resistance value.
052	No start safety time exceeded	No flame detected on start attempt. Temperature at flame sensor $<100^{\circ}\text{C}$ ( $1380\Omega$ ). Check flame sensor resistance values. Check fuel, glow plug, combustion air and exhaust flows.
053	Flame cutout in boost mode	Heater has started successfully the flame has extinguished. Check fuel supply. Check combustion air and exhaust flow. Check flame sensor resistance value.
054	Flame cutout in high mode	Heater has started successfully the flame has extinguished. Check fuel supply. Check combustion air and exhaust flow. Check flame sensor resistance value.
055	Flame cutout in medium mode	
056	Flame cutout in low mode	
060	Open circuit - external temperature sensor	Temperature sensor detects a value beyond it's range. Check connections.
061	Short circuit - external temperature sensor	
062	Open circuit - set point potentiometer (control switch)	Potentiometer values outside of range. Check resistance between pins 7 and 13. $> 2800\Omega$ - open $< 280\Omega$ - short Normal range $1750 - 2080\Omega$ ( $\pm 80$ ).
063	Short circuit - set point potentiometer (control switch)	
064	Open circuit - flame sensor	Sensor is sensing value outside of range. $> 3200\Omega$ - open $< 200\Omega$ - short
065	Short circuit - flame sensor	
071	Open circuit - overheat sensor	
090	Control unit defect	Internal failure. Replace control unit.
091	External voltage disturbance	Check vehicle charging system.
092	Control unit defective	Internal failure. Replace control unit.
093		
094		
096		
096	Control unit defective (internal temperature sensor)	Internal failure. Replace control unit or use external sensor.
097	Control unit defective (power failure)	Internal failure. Replace control unit.

## Fuel Quantity Test

The fuel quantity should be tested if the heater has difficulty starting or maintaining a flame:

### Preparation

- Detach the fuel line from the heater.
- Insert the fuel line into a measuring glass (10 cc).
- Switch the heater on and allow fuel system to bleed out air for approx. 20 seconds.
- Switch the heater off and empty the measuring glass.

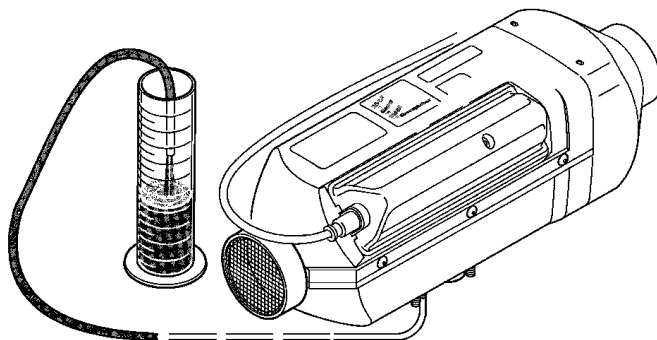
### Measurement

- Switch heater on.
- Hold the fuel line in the measuring glass while fuel is being delivered.
- The pump will stop automatically after delivering fuel for 90 seconds.
- Once fuel pump stops, switch heater off.

### Evaluation

- Read the amount of fuel delivered.
- Fuel quantity should be between 3.4ml and 4.65ml.
- If the fuel quantity is outside this range, check for and remove any restriction in fuel system or replace the fuel metering pump. (Check screen in suction side of pump)

**Note:** The fuel quantity is not affected by voltage variances.



## Component Specification Chart

Component values given are reference numbers only (at room temperature). Actual component values may vary  $\pm 10\%$ .

### Resistance Values

Component	Resistance	Location	Wire Colors
Glow Plug	1 $\Omega$	Glow Plug	White, Brown
Motor	.5 $\Omega$	From Control Unit	Black, Brown
Flame Sensor	1.1 K $\Omega$	From Control Unit	Blue, Blue
Overheat Sensor	1.1 K $\Omega$	From Control Unit	Blue, Blue
Fuel Pump	10.0 $\Omega$	Fuel Metering Pump	Grn/Brn, Grn
Rheostat (Range)	1.8-2.2 K $\Omega$	Thermostat Pins 1,2	Brn/Wt, Gr/Rd
Temperature Sensor (Range)	1.8-2.2 K $\Omega$	Thermostat Pins 1,T	Brn/Wt, Grey

### Motor Speeds

Boost	5,000 RPM
High	4,400 RPM
Medium	3,000 RPM
Low	3,000 RPM
Recirculation	1,000 RPM (when using internal temperature sensor)

### Exhaust Gas

- CO<sub>2</sub> concentration in exhaust gas when heater is running in High heat mode 6-10%.
- Smoke test value from exhaust gas when heater is running in High heat mode <4.

## Repair Steps

### Inspection, Removal and Replacement of the:-

- ..Glow Plug
- ..Atomizer Screen
- ..Control Unit
- ..Heater Casing Disassembly
- ..Overheat Sensor
- ..Flame Sensor
- ..Blower Removal and Replacement
- ..Heat Exchanger Cleaning

### Glow Plug Removal, Inspection and Replacement

- Remove glow plug connector.
- Remove glow plug.
- Inspect coils for carbon build up, breaks or metal fatigue.
- Clean or replace if necessary.
- Re-install in reverse order using a new gasket.

### Atomizer Screen Removal, Inspection and Replacement

- Remove atomizing screen using the metal tab and a pair of pliers.
- Clean screen using varsol, brass wire brush and compressed air.
- Inspect screen for deterioration and replace if necessary.
- Clean the glow plug chamber to remove carbon build up.
- Ensure air vent hole and fuel port are clear.
- Re-install fuel screen.

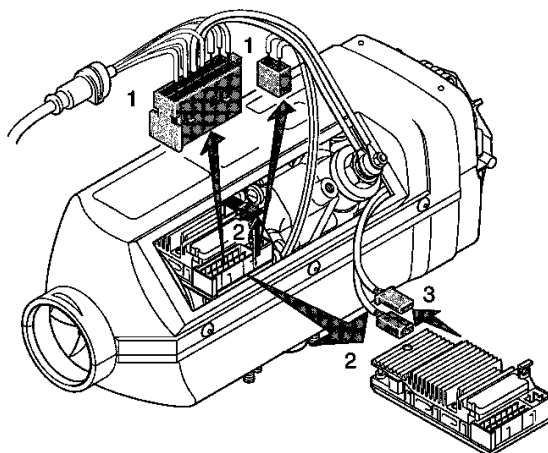
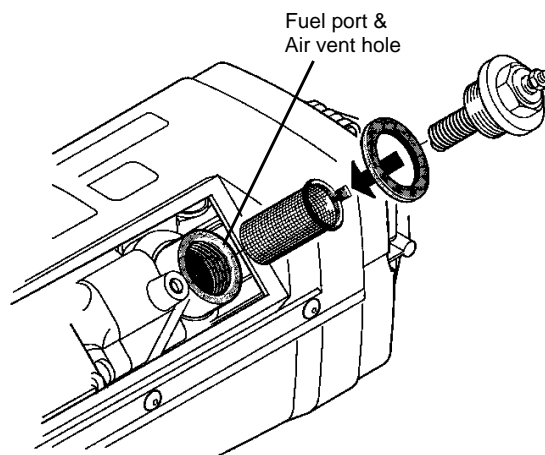
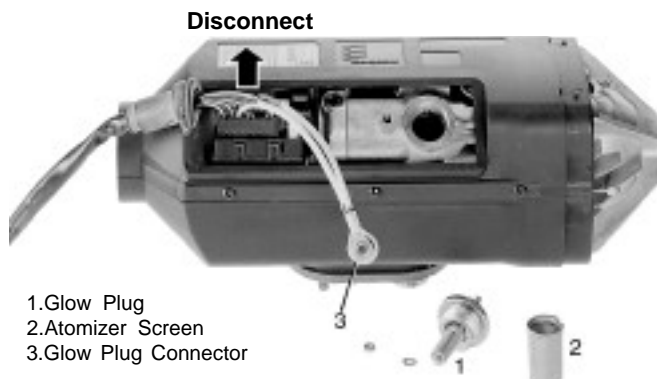
**Note:** Ensure seam of screen and tab do not block the air vent hole or fuel port.

### Control Unit Removal and Replacement

- Unplug main harness and motor connectors. (1)
- To remove Control Unit, unlock and slide out. (2)
- Unplug overheat switch and flame sensor connectors. 3
- Re-install in reverse order.



**Caution:** Remove power from the heater prior to any disassembly by unplugging main connection or removing main fuse.



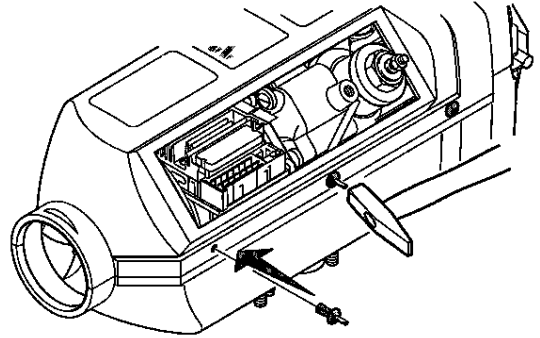
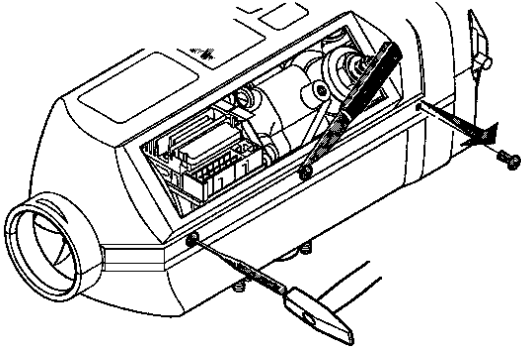


## Heater Casing Disassembly

- Remove internal hex screw and cap.
- Pry off air outlet hood using a flat screw driver.
- Remove rivets by punching center pin through and prying out base.
- Remove rubber seal at base of heat exchanger.
- Separate outer casing.
- Re-assemble in reverse order using new rivets.



2. Air Outlet Hood  
3. Cap with Internal Hex Screw

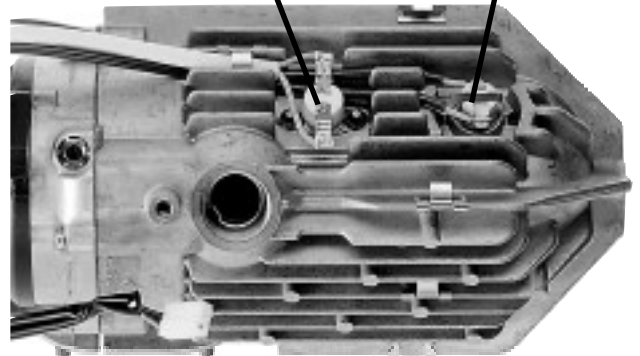


## Overheat Sensor Replacement

- Using a small flat screw driver, pry off holding clips.
- Lift sensor from mounting studs.
- Install replacement sensor using new holding clips.
- Ensure the sensor is securely mounted against heat exchanger.

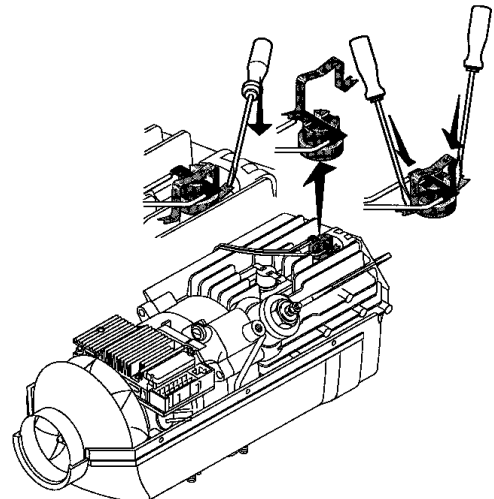
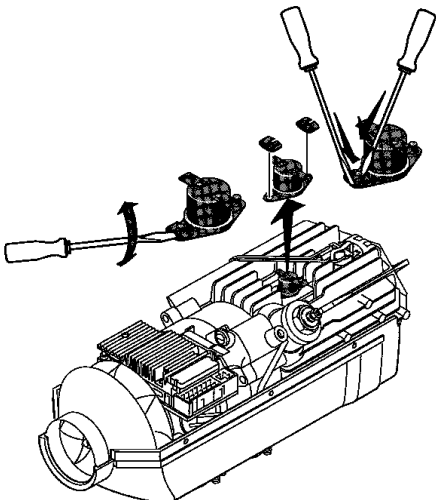
Overheat Sensor

Flame Sensor



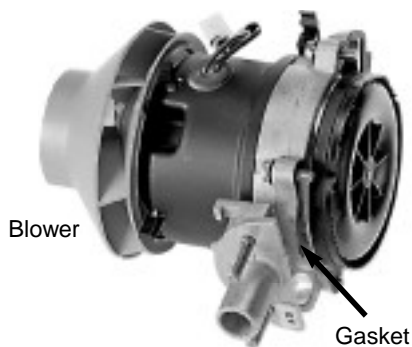
## Flame Sensor Replacement

- Using a small flat screw driver, pry off holding spring.
- Remove spring and flame sensor.
- Install replacement sensor using a new mounting spring.
- Ensure the sensor is securely mounted against heat exchanger



## Blower Removal and Replacement

- Remove four mounting screws.
- Separate blower from heat exchanger.
- Re-assemble using new gasket.

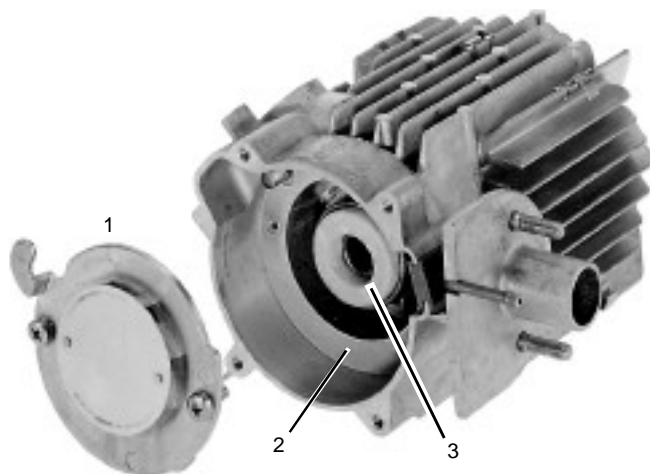


Heat Exchanger

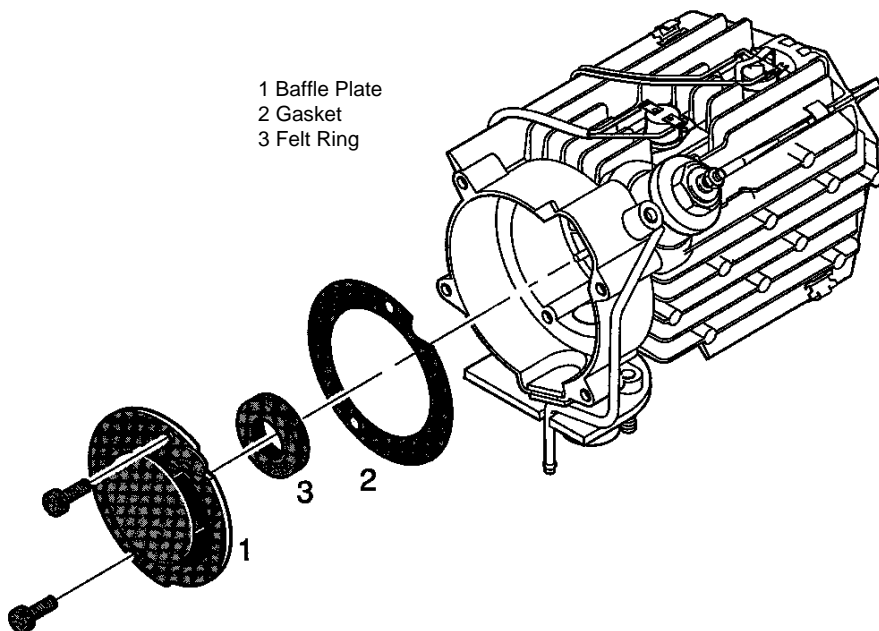


## Heat Exchanger Cleaning and Inspection

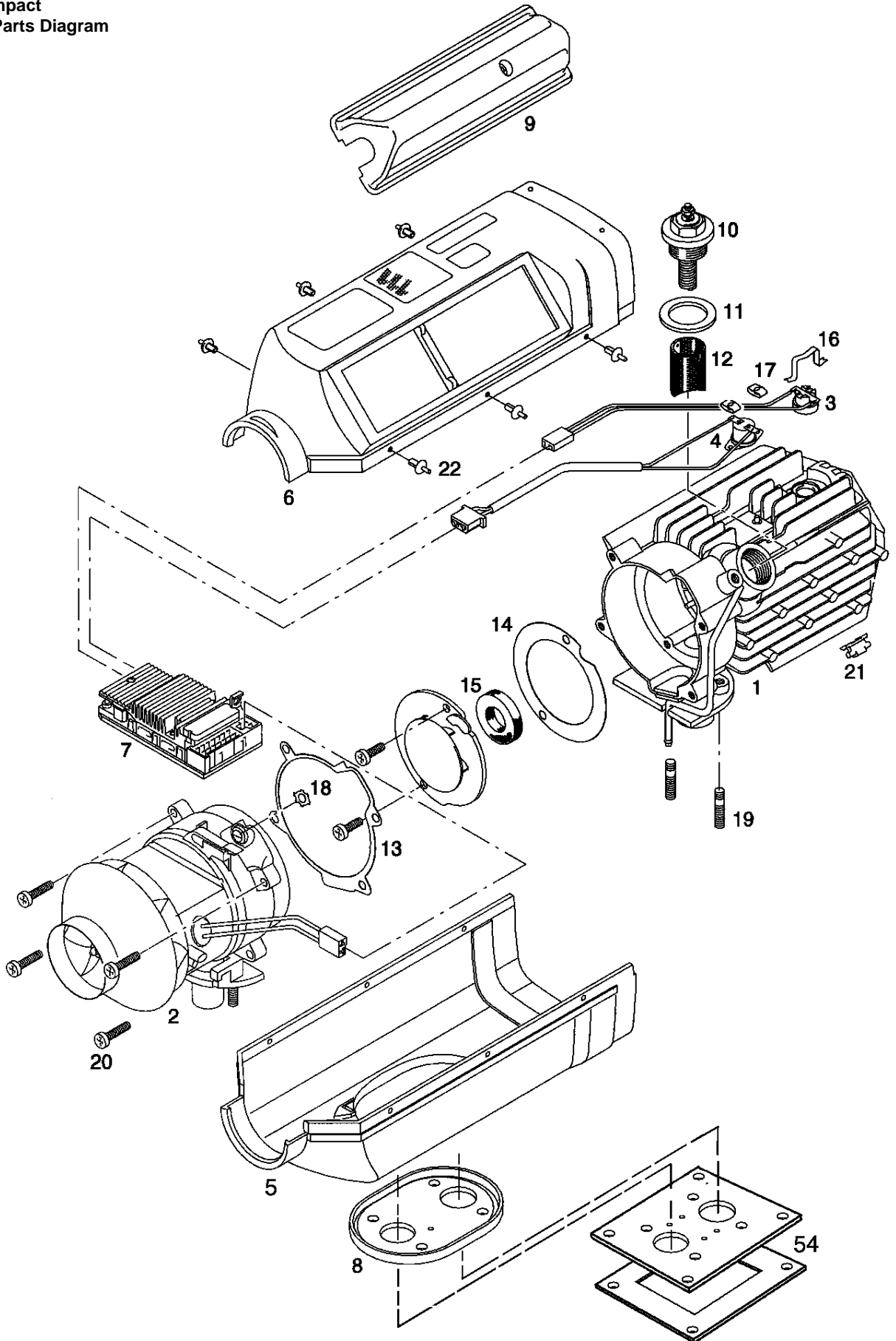
- Remove two mounting screws and baffle plate
- Remove and replace gasket.
- Clean excessive carbon from inside heat exchanger using a brass wire brush, varsol and compressed air.
- Inspect felt ring and replace if damaged.
- Re-assemble in reverse order using new gaskets.

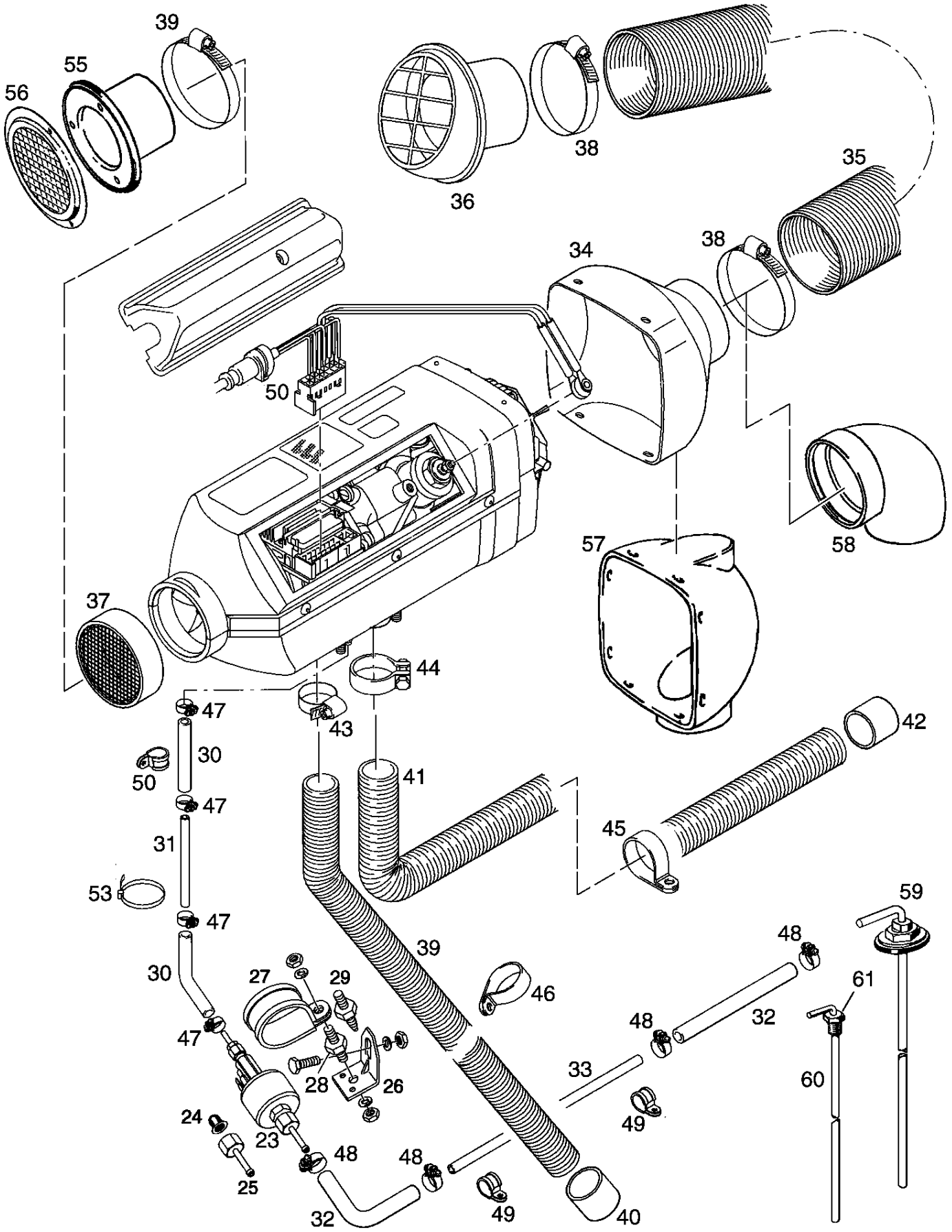


1 Baffle Plate  
2 Gasket  
3 Felt Ring

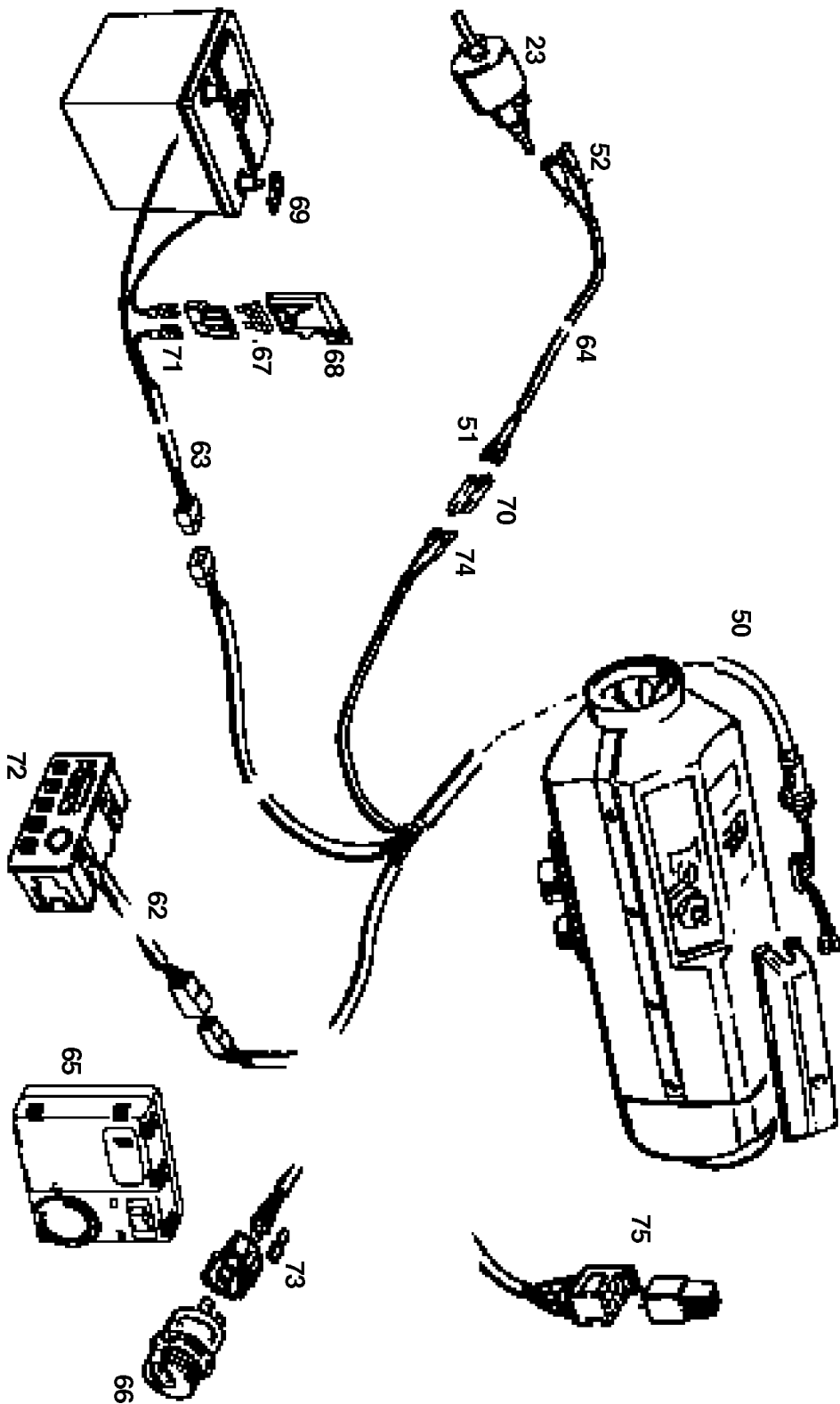


D1LCcompact  
Service Parts Diagram





Parts continued.




**Parts List D1LC compact**

Ref. No.	Description	Part Number	Model #	25 1895 12V	25 1896 24V	25 1965 12V	25 1966 24V	25 1976 12V	25 1977 24V
1	Heat exchanger	25 1774 99 06 00		•	•	•	•	•	•
2	Combustion air blower	12 Volt 25 1895 99 20 00		•		•		•	
		24 Volt 25 1896 99 20 00			•		•		•
3	Flame sensor	25 1895 99 35 00		•	•	•	•	•	•
4	Safety thermal sensor	25 1895 41 00 00		•	•	•	•	•	•
5	Lower half of casing	25 1895 01 01 00		•	•	•	•	•	•
6	Upper half of casing	25 1895 01 06 00		•	•	•	•	•	•
7	Control unit	12 Volt 25 1895 50 00 13		•		•			
		12 Volt 25 1976 99 51 01					•		
		24 Volt 25 1977 99 51 01			•		•		•
8	Flange seal	25 1774 01 00 02		•	•	•	•	•	•
9	Cable cover	25 1895 01 02 00		•	•	•	•	•	•
10	Glow plug	12 Volt 25 1830 01 01 00		•		•		•	
		24 Volt 25 1831 01 01 00			•		•		•
11	Seal ring	25 1830 01 01 01		•	•	•	•	•	•
12	Glow plug screen	25 1688 06 04 00		•	•	•	•	•	•
13	Gasket, blower	25 1688 01 00 06		•	•	•	•	•	•
14	Gasket, heat exchanger	25 1688 06 00 03		•	•	•	•	•	•
15	Seal ring, heat exchanger	25 1688 06 00 06		•	•	•	•	•	•
16	Spring, flame sensor	25 1895 01 00 03		•	•	•	•	•	•
17	Clip, safety switch	171 42 080		•	•	•	•	•	•
18	Serrated ring	171 19 254		•	•	•	•	•	•
19	Grub screw M6x20 DIN 835	106 10 022		•	•	•	•	•	•
20	Fillister head bolt M5x20	103 10 461		•	•	•	•	•	•
21	U-Clip	25 1688 01 00 03		•	•	•	•	•	•
22	Rivet, black plastic	131 31 051		•	•	•	•	•	•
23	Fuel metering pump	12 Volt 25 1830 45 00 00		•		•		•	
		24 Volt 25 1831 45 00 00			•		•		•
24	Fuel screen	20 1312 00 00 06		•	•	•	•	•	•
25	Hose connection	20 1621 45 00 00		•	•	•	•	•	•
26	Angle bracket	20 1348 03 00 02		•	•	•	•	•	•
27	Clamp for fuel metering pump	152 00 144		•	•	•	•	•	•
28	Rubber mount 6mm	20 1185 00 00 01		•	•	•	•	•	•
29	Rubber mount	20 1673 80 01 01		•	•	•	•	•	•
30	Fuel hose 3.5mm ID	360 75 300		•	•	•	•	•	•
31	Plastic fuel line 1.5mm ID	090 31 118		•	•	•	•	•	•
32	Fuel hose 5mm ID	360 75 350		•	•	•	•	•	•
33	Plastic fuel line 2mm ID	090 31 125		•	•	•	•	•	•
34	Straight outlet hood 60mm	25 1688 80 03 00		•	•	•	•	•	•
35	Flexible air hose 60mm ID	10 2114 31 00 00		•	•	•	•	•	•
36	Deflector 60mm	20 1577 89 06 00		•	•	•	•	•	•
37	Safety screen	25 1688 80 06 00		•	•	•	•	•	•
38	Clamp 46mm-70mm	CA1 10 047		•	•	•	•	•	•
39	Air intake hose 20mm ID	360 00 099		•	•	•	•	•	•
40	End sleeve with crossbar	25 1688 80 12 01		•	•	•	•	•	•



## **Espar Products, Inc.**

6435 Kestrel Road  
Mississauga, Ontario  
Canada L5T 1Z8

17370 N. Laurel Park Drive  
Suite 400E  
Livonia, Michigan  
United States  
48152

Canada (Tel): 905-670-0960

800-668-5676

Fax: 905-670-0728

U.S. (Tel): 800-387-4800